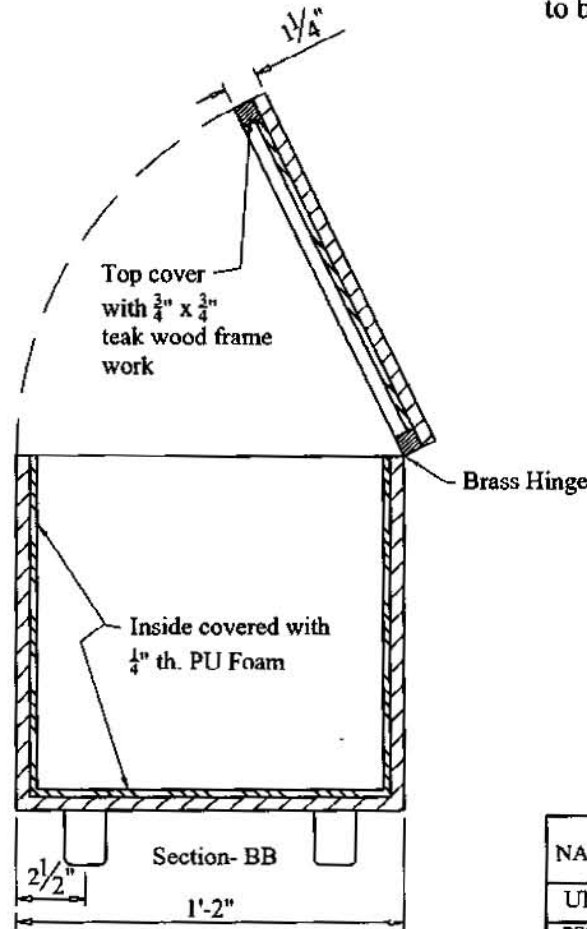
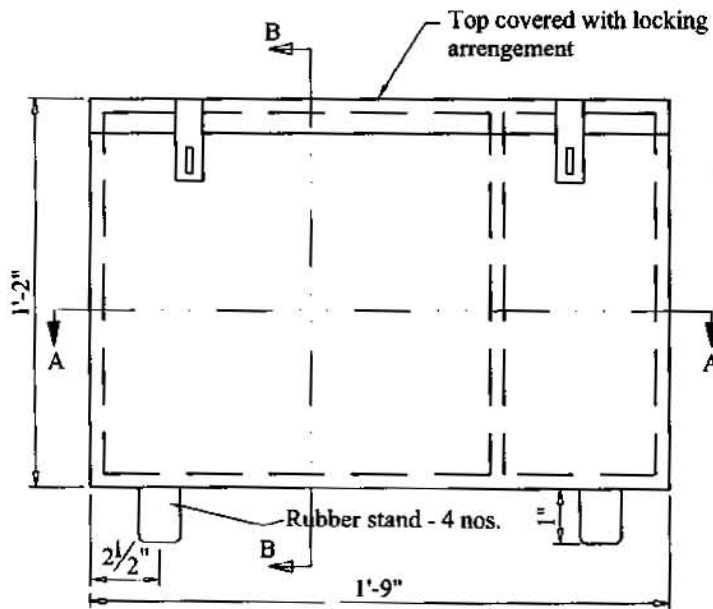
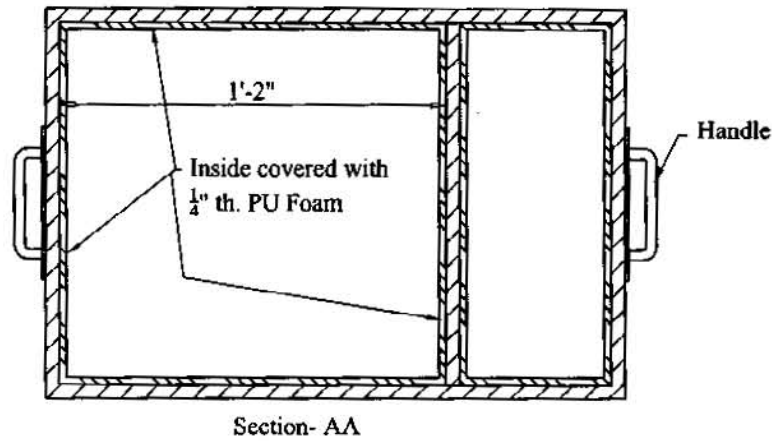
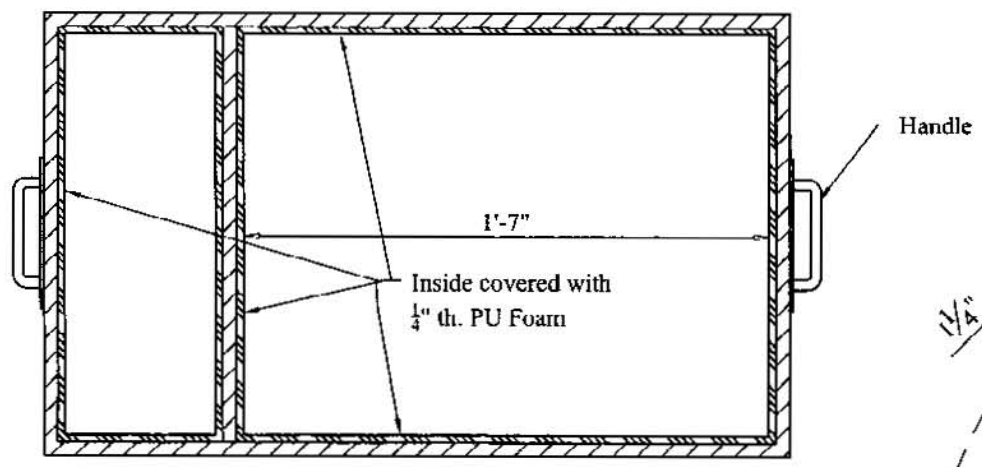


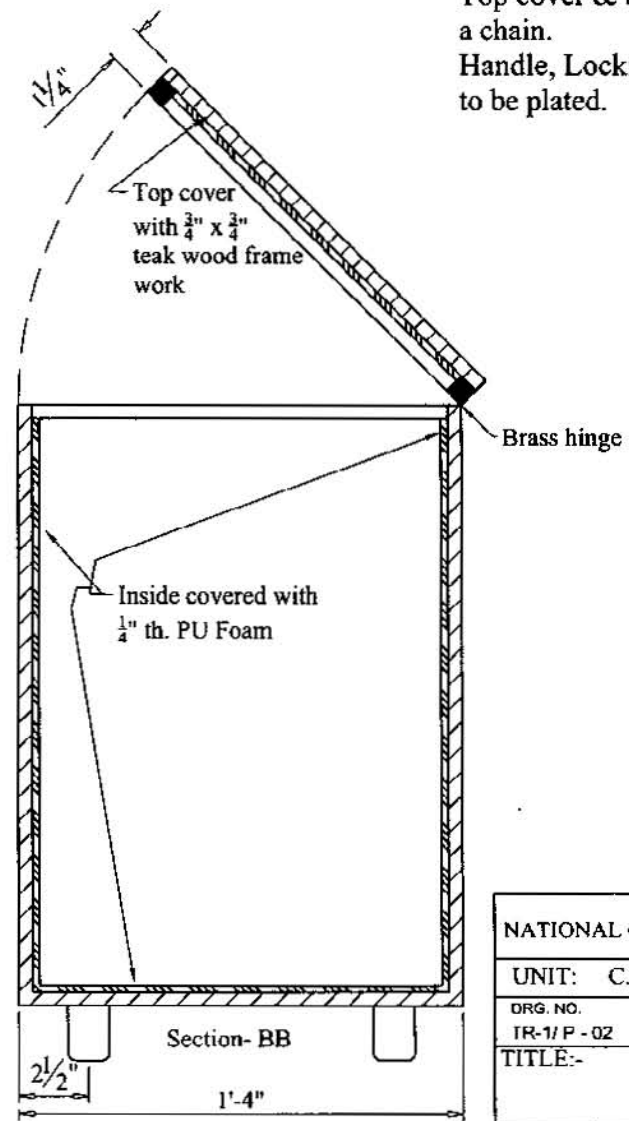
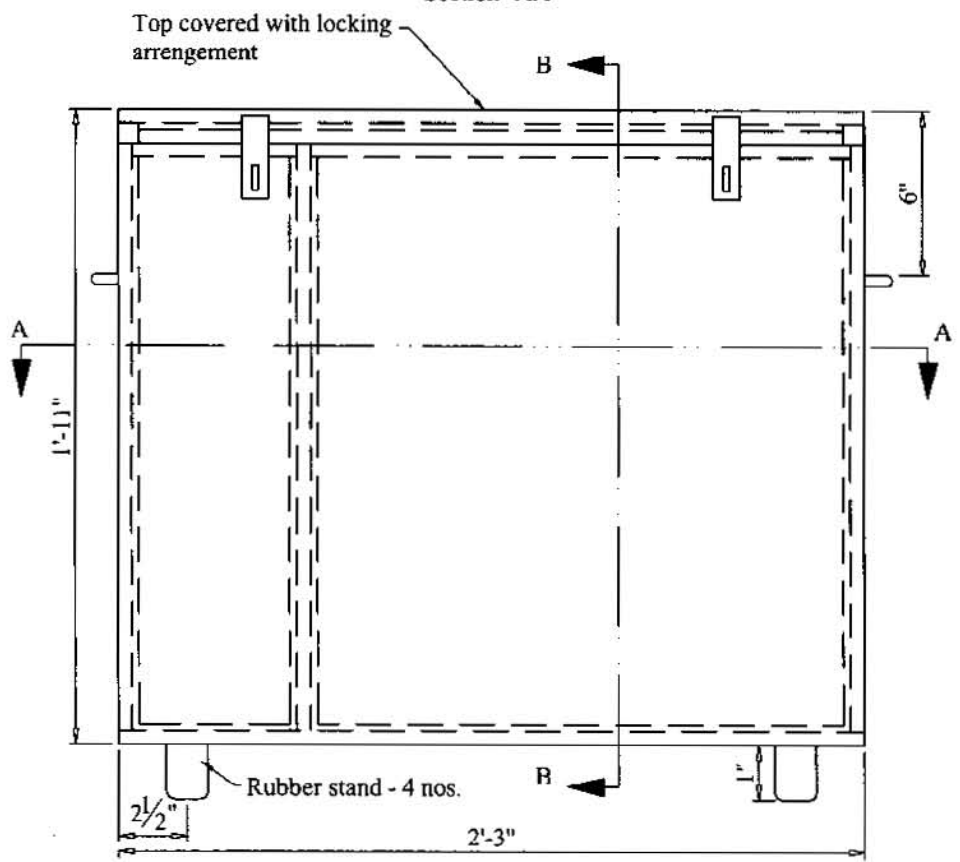
Note:- Box made with $\frac{1}{2}$ " Phenol bonded ply.
 All out sides to be covered with rexin (apprived colour).
 All inside surface to be covered with $\frac{1}{4}$ " thk. PU foam.
 Top cover & body to be attached with a chain.
 Handle, Locking arrangement & hinge to be plated.



NATIONAL COUNCIL OF SCIENCE MUSEUMS			
UNIT: C.R.T.L.		PROJ.- TARAMANDAL	
DRG. NO. TR-1/P-01	DATE 04/09/04	SCALE 0:00	TOLERANCE $\pm 0.25\text{mm}$
TITLE:- BOX FOR CYLINDER			NO OFF.
DRN. BY <i>[Signature]</i>	CKD. BY <i>[Signature]</i>	APPRD. BY	

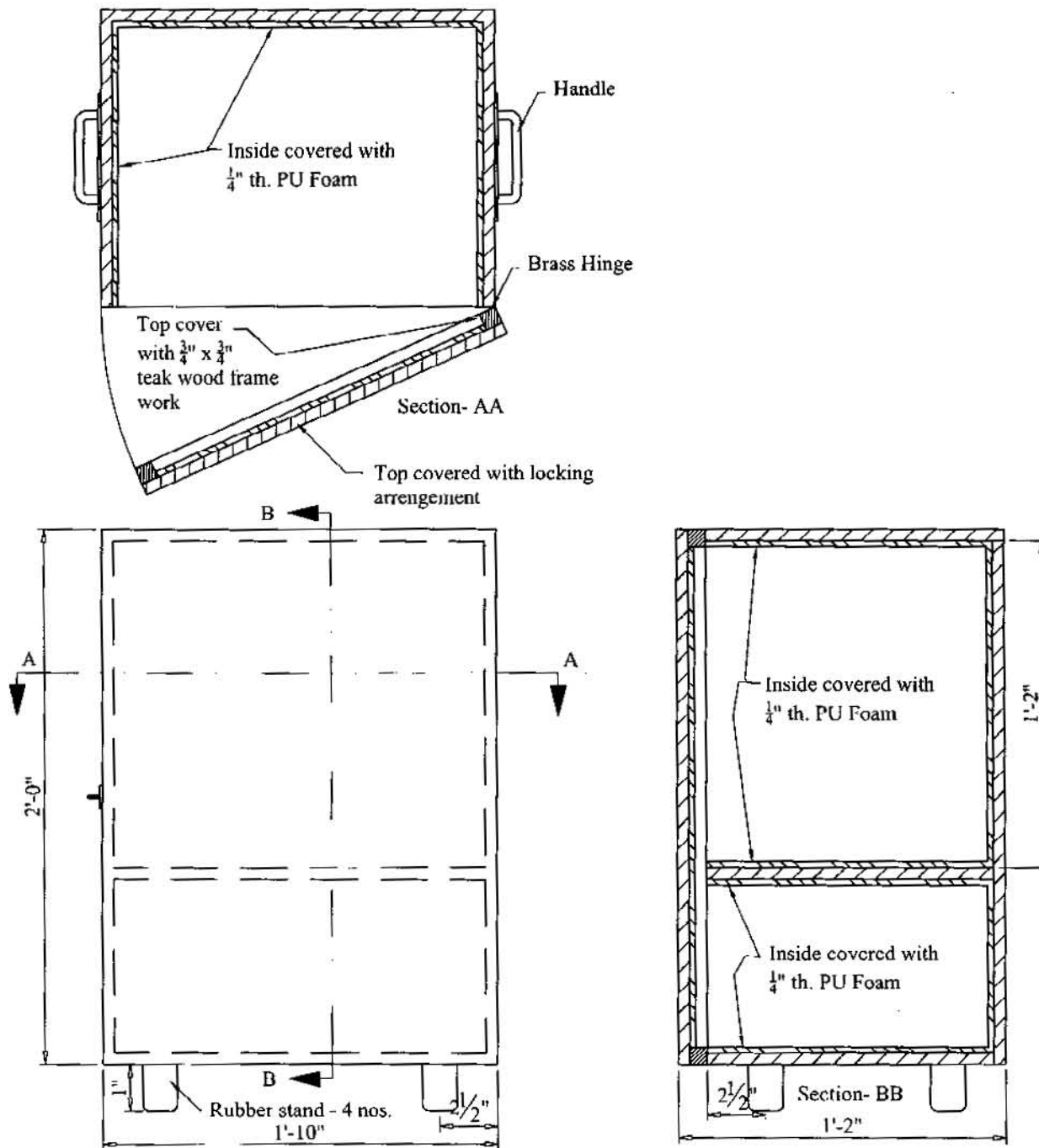



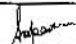

Note:- Box made with 1/2" Phenol bonded ply.
 All out sides to be covered with rexin (apprived colour).
 All inside surface to be covered with 1/4" thk. PU foam.
 Top cover & body to be attached with a chain.
 Handle, Locking arrangement & hinge to be plated.



NATIONAL COUNCIL OF SCIENCE MUSEUMS			
UNIT: C.R.T.L.	PROJ.- TARAMANDAL		
ORG. NO. TR-1/ P - 02	DATE 04/09/04	SCALE 0 : 00	TOLERANCE ± 0.25mm
TITLE:- BOX FOR FAN			NO OFF.
DRN. BY	CKD. BY	APPRD. BY	

Note:- Box made with $\frac{1}{2}$ " Phenol bonded ply.
 All out sides to be covered with rexin (apprived colour).
 All inside surfacc to be covered with $\frac{1}{4}$ " thk. PU foam.
 Top cover & body to be attached with a chain.
 Handle, Locking arrangement & hinge to be plated.



NATIONAL COUNCIL OF SCIENCE MUSEUMS 			
UNIT: C.R.T.L.		PROJ.- TARAMANDAL	
DRG. NO. TR-1/P-03	DATE 04/09/04	SCALE 0:00	TOLERANCE ± 0.25 mm
TITLE:- BOX FOR PROJECTOR			NO OFF.
DRN. BY 	CKD. BY 	APPRD. BY	