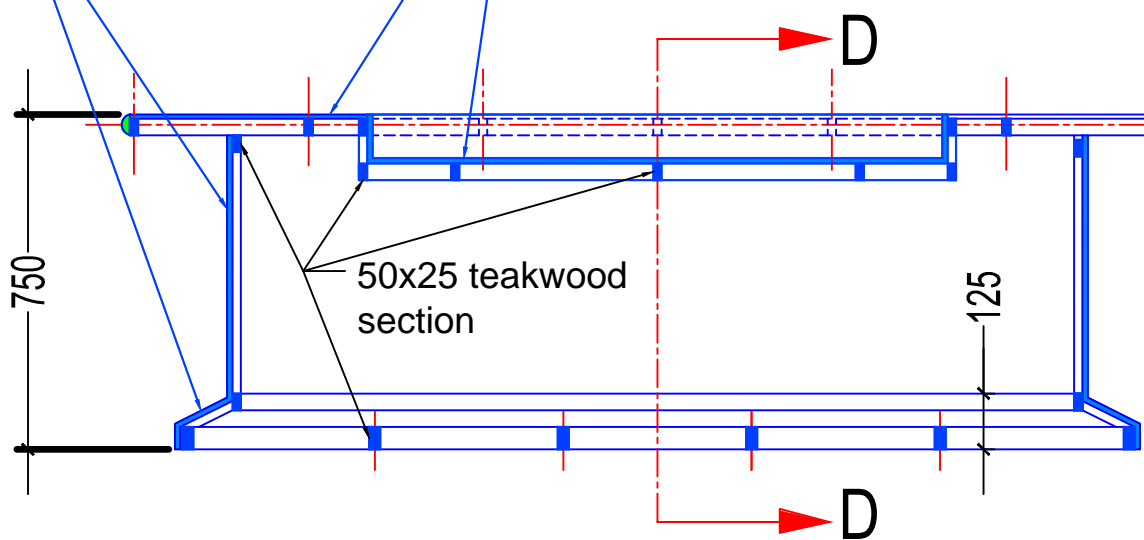


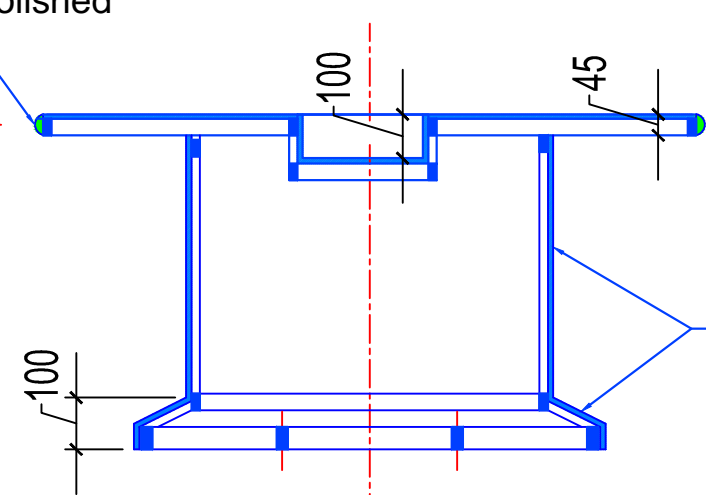
6mm thk. ply covered with laminate over 50x25 CP teak wood frame work

12mm thk. ply covered with laminate over 50x25 CP teak wood frame work

Round shaped CP teak wooden bead to be polished



Sec. at CC




Sec. at DD

6mm thk. ply covered with laminate over 50x25 CP teak wood frame work

N.B:-

1. All the CP wood sections should be straight, seasoned & knot free.
2. Plywood board shall be of phenol bonded, BWR quality and Century/Sylvan brand.
3. Laminate sheet shall be 1mm. thk. and Century/Greenlam/Merino make and colour to be approved by the authority.
4. Dimensions may vary as per site condition.
5. Tenderers are requested to clear their doubts(if any)before submitting their quotations.

All Dimensions are in mm

NATIONAL COUNCIL OF SCIENCE MUSEUMS 			
UNIT: NEZ		PROJ.- Kokrajhar	
DRG. NO. Fur-01/11/2020	DATE 01/07/2020	SCALE 0 : 00	TOLERANCE ±0.25mm
TITLE:- Conference Table			NO OFF.
DRN. BY MINAKSHI DUTTA	CKD. BY	APPRD. BY	