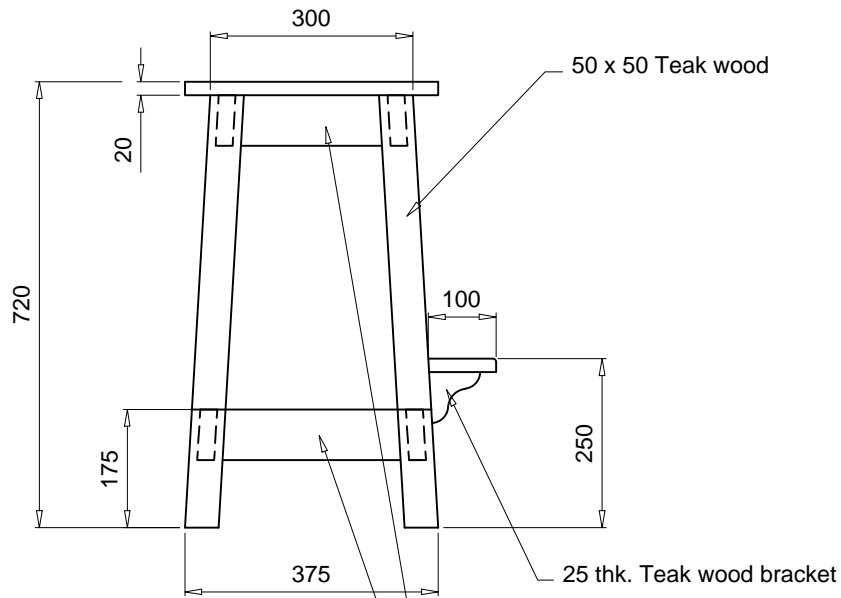


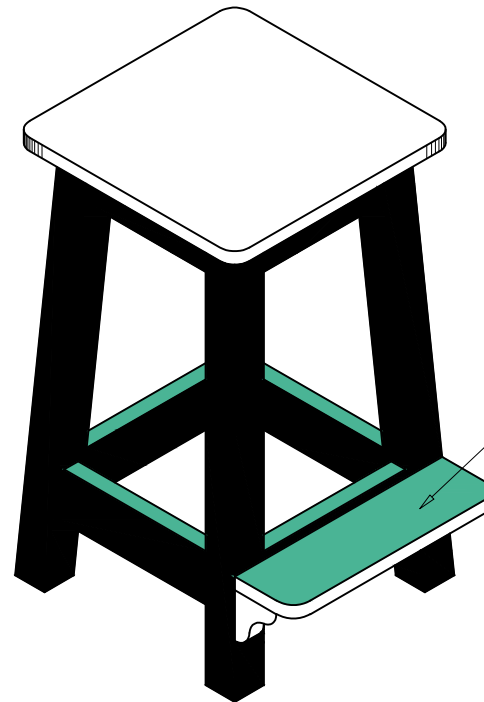
Top 20mm Teak wood,
to be fixed by wood screw from bottom



50 x 50 Teak wood

25 thk. Teak wood bracket

50 x 25 Teak wood


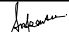


20 Thk. Teak wood
foot rest

NOTE:

1. All teak wood section must be knot free and well seasoned.
2. Wooden nail and fevicol is used only for joints & pasting.
3. All wood work should be highly polished to natural wood colour.

All Dimensions Are in mm

NATIONAL COUNCIL OF SCIENCE MUSEUMS 			
<i>UNIT:</i> NEZ		<i>PROJ.:</i> - SRSC KOKRAJHAR	
<i>DRG. NO.</i> FUR/05/9/09	<i>DATE</i> 27/02/09	<i>SCALE</i> 1: 00	<i>TOLERANCE</i> ± 0.25mm
<i>TITLE:</i> - STOOL for Work table			NO OFF.
<i>DRN. BY</i> 	<i>CKD. BY</i>	<i>APPRD. BY</i>	