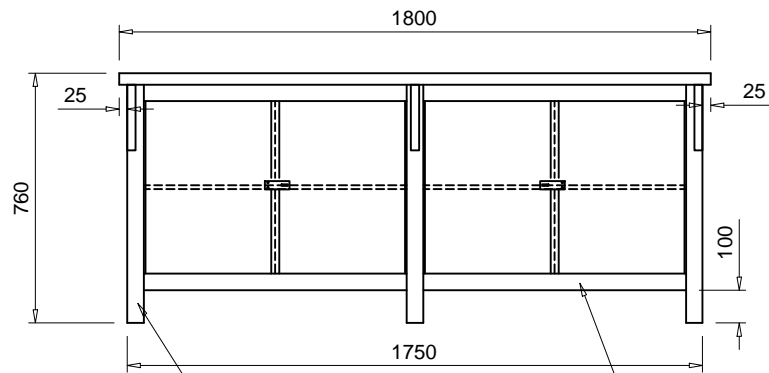
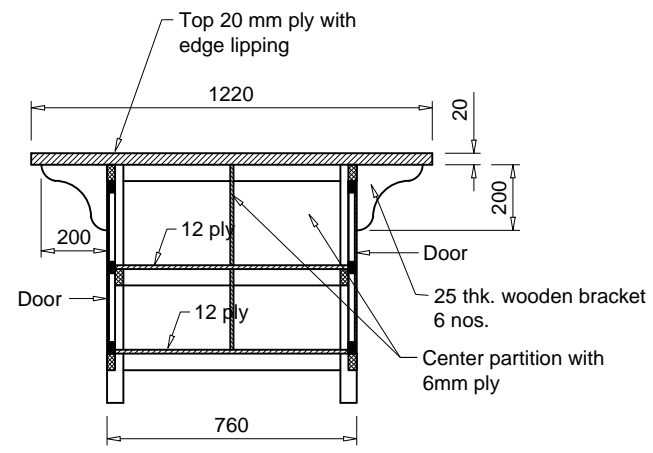


Door 6mm ply over 35 x 25 Teak wood frame with Brass hinge and locking arrangement in both side



50 x 50 Vertical Teak wood frame  
50 x 25 Horizontal Teak wood frame



- NOTE:
1. All teak wood section must be knot free and well seasoned.
  2. Wooden nail and fevicol is used only for joints & pasting.
  3. All wood work should be highly polished & ply rack will be 2 coat paint finished over wood primer.
  4. Ply wood must be good quality phenol bonded.

All Dimensions Are in mm

NATIONAL COUNCIL OF SCIENCE MUSEUMS			
UNIT: NEZ	PROJ. - SRSC KOKRAJHAR		
DRG. NO. FUR/04/8/09	DATE 27/02/09	SCALE 1: 00	TOLERANCE ± 0.25mm
TITLE: -			NO OFF.
<b>WORK TABLE (light work)</b>			
DRN. BY	CKD. BY	APPRD. BY	