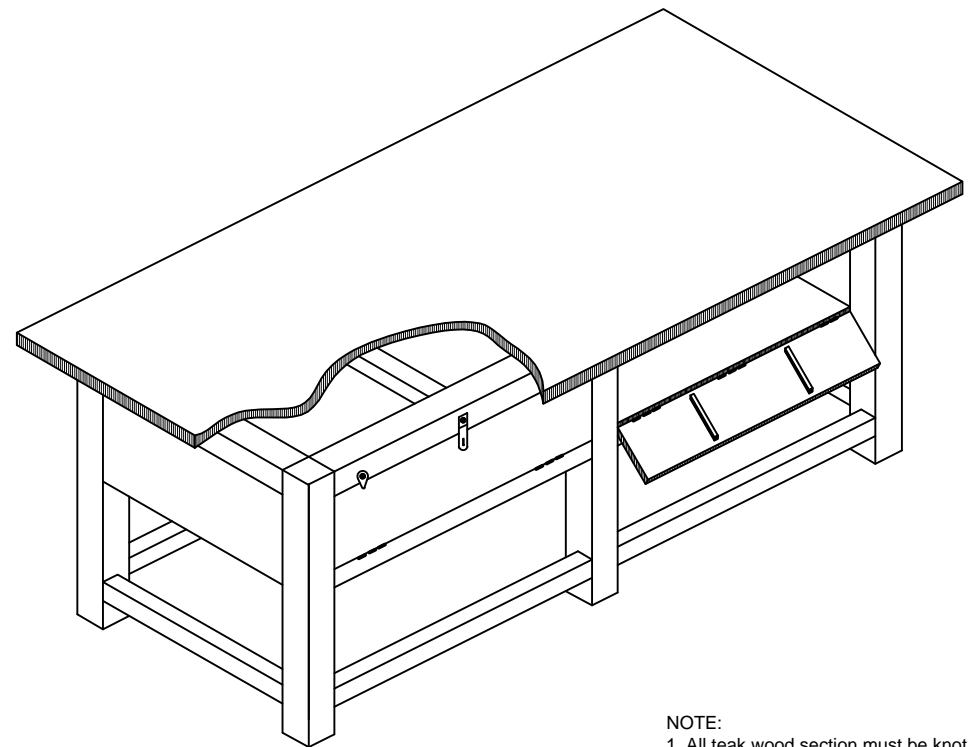


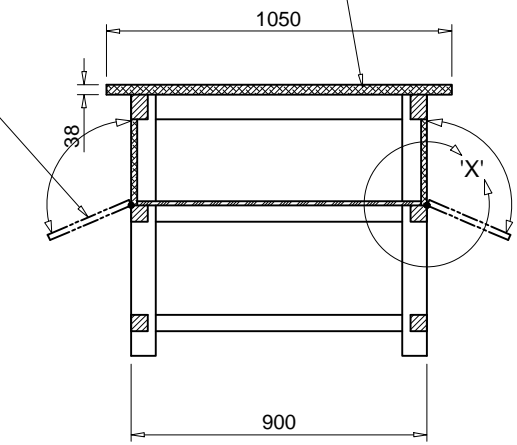
Details of 'X'



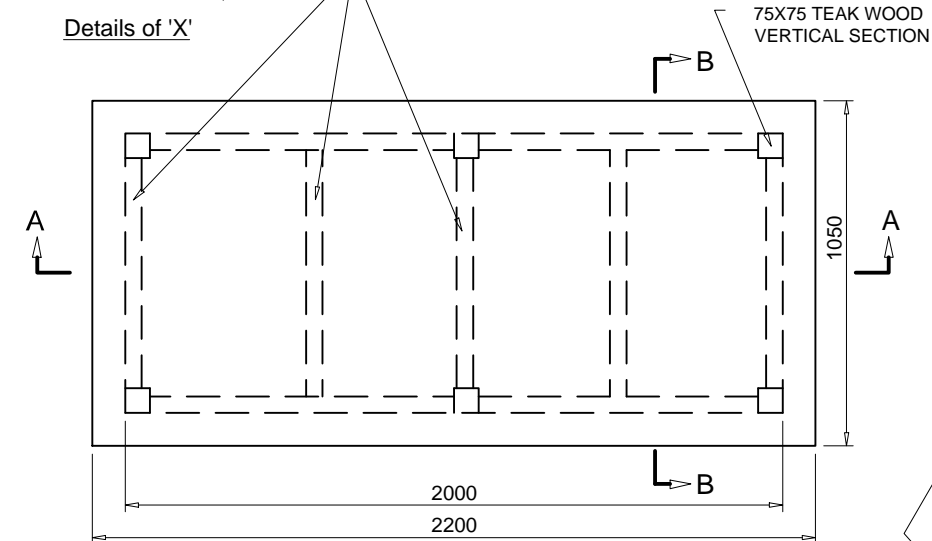
SIDE DOOR IS MADE OF 18mm THK. TEAK WOOD WITH 75 BRASS HINGE & LOCKING ARRANGEMENT

TOP IS COVERED WITH 38 mm THK. TEAK WOOD

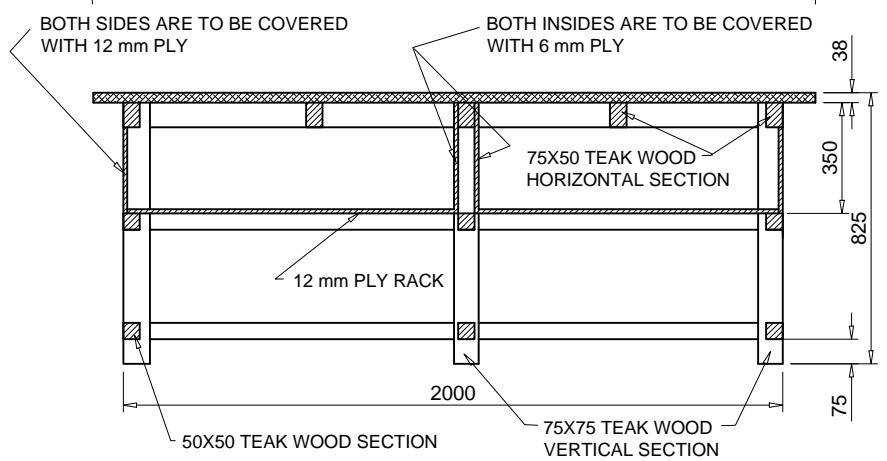
- NOTE:
1. All teak wood section must be knot free and well seasoned.
  2. Wooden nail and fevicol is used only for joints & pasting.
  3. All wood work should be highly polished & ply rack will be 2 coat paint finished over wood primer.
  4. Ply wood must be good quality phenol bonded.



SECTION-BB



SECTION-AA



All Dimensions Are in mm

NATIONAL COUNCIL OF SCIENCE MUSEUMS			
UNIT: NEZ	PROJ. - SRSC KOKRAJHAR		
DRG. NO. FUR/01/5/09	DATE 25/02/09	SCALE 1: 00	TOLERANCE ± 0.25mm
TITLE: - WORK TABLE (Mechanical)			NO OFF.
DRN. BY <i>[Signature]</i>	CKD. BY	APPRD. BY	