

CENTRAL RESEARCH AND TRAINING LABORATORY

33-Block GN, Sector-V, Kolkata, 700091

Aptitude Test for selection of Technician A – Carpenter

Name of the candidate:

Registration No.

Time: 1 hour

Total marks: 30

Section I :

Answer all the questions

20 x 1 = 20 Marks

1. The grain of the wood refers to the direction of the cellular or fibrous structure of the wood, which is in the ----- direction.
Ans.
2. Seasoning of timber is the process by which the surplus ----- is drawn from the green timber.
Ans.
3. The sizes of wooden planks commonly available in the market are -----.
Ans.
4. Chloroform is used for joining which material?
Ans.
5. Which gauge has two marking points?
Ans.
6. A saw is generally specified by its ----- and ----- .
Ans.
7. What is setting in saw?
Ans:
8. The blade of rip saw is made of which material?
Ans.
9. Which saw is used for sawing curves in the confined spaces?
Ans.
10. Wood chisel is specified by its ----- and -----.

Ans.

11. How can the decorative laminate pasted on plywood be removed without damaging the plywood?

Ans.

12. Chisels with curved sections are called as -----.

Ans.

13. The blade of jack plane is set at angle of ----- to the sole.

Ans.

14. Which plane is used for cutting grooves to fit a panel in a door?

Ans.

15. Which drill bit is used for making long holes in wooden piece?

Ans.

16. Which machine is used for cutting square slots and tenon joints in a wooden piece?

Ans.

17. The process of cutting concave, convex and other curved surface along the length of a piece of wood is known as

Ans.

18. Which cutting tool is used for enlarging the size of a hole?

Ans.

19. Which tool is used for pulling nails?

Ans.

20. The cutting angle of a chisel is -----

Ans.

Section II :

Answer the questions briefly:

10 marks

1. How much ply board (area of the ply board) is required for making a wooden box of size 1.5 mt x 1.5 mt x 1.0 mts? 2 marks

2. The market cost of teak wood is Rs. 2,100 per CFT.

4 marks

a) Find the cost of buying 24 batons of size 2" x 2" x 6'.

b) How many batons of the size 1" x 1" x 6' can be bought for Rs.6,300/-?

3. How many cubes of side 10 cm can be accommodated in a cubic box having a side of 100 cm?

2 marks

4. Convert

2 marks

a) 7'2" into cms

b) 1778 cms into inches



Central Research and Training Laboratory

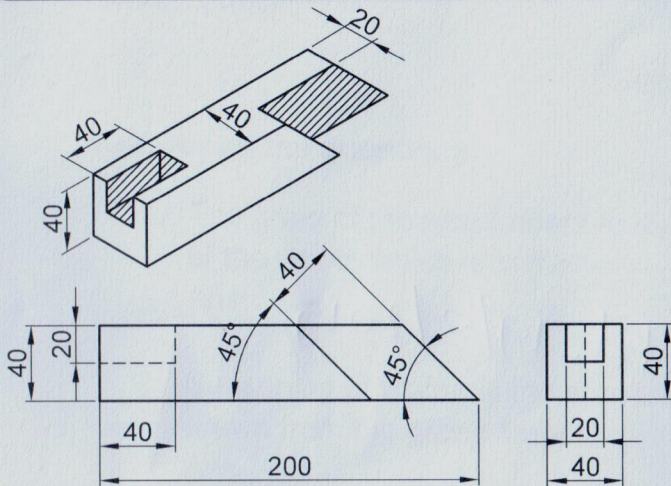
(NATIONAL COUNCIL OF SCIENCE MUSEUMS)

33, Block-GN, Sector V, Bidhan Nagar, Kolkata, West Bengal - 700091

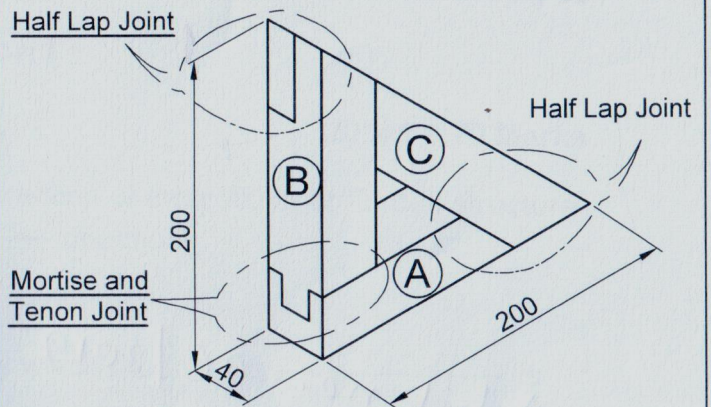
TRADE TEST FOR TECHNICIAN - A (CARPENTER)

Full marks: 70

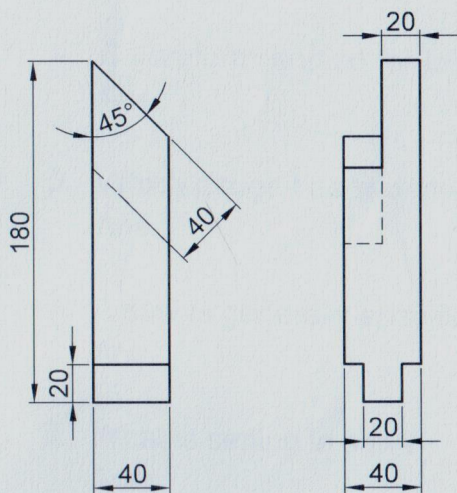
Time : 4 Hrs.



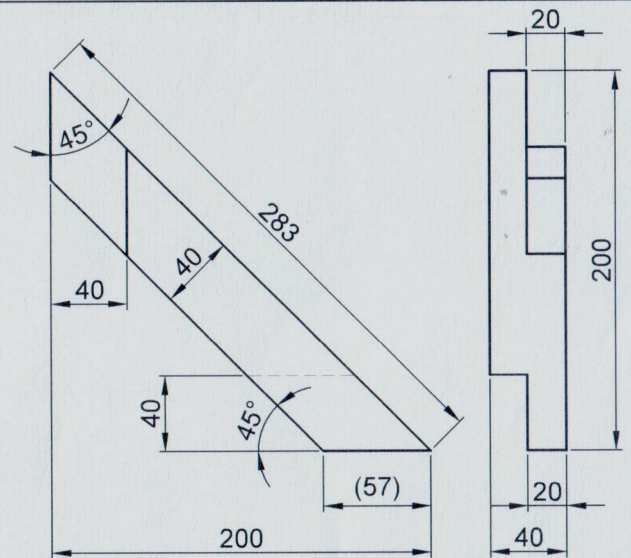
PART - A



ASSEMBLY



PART - B



PART - C

All dimensions are in mm and not to scale.

Fabricate Part - A, Part - B & Part - C and assemble.

Candidate Name :

Roll No. :