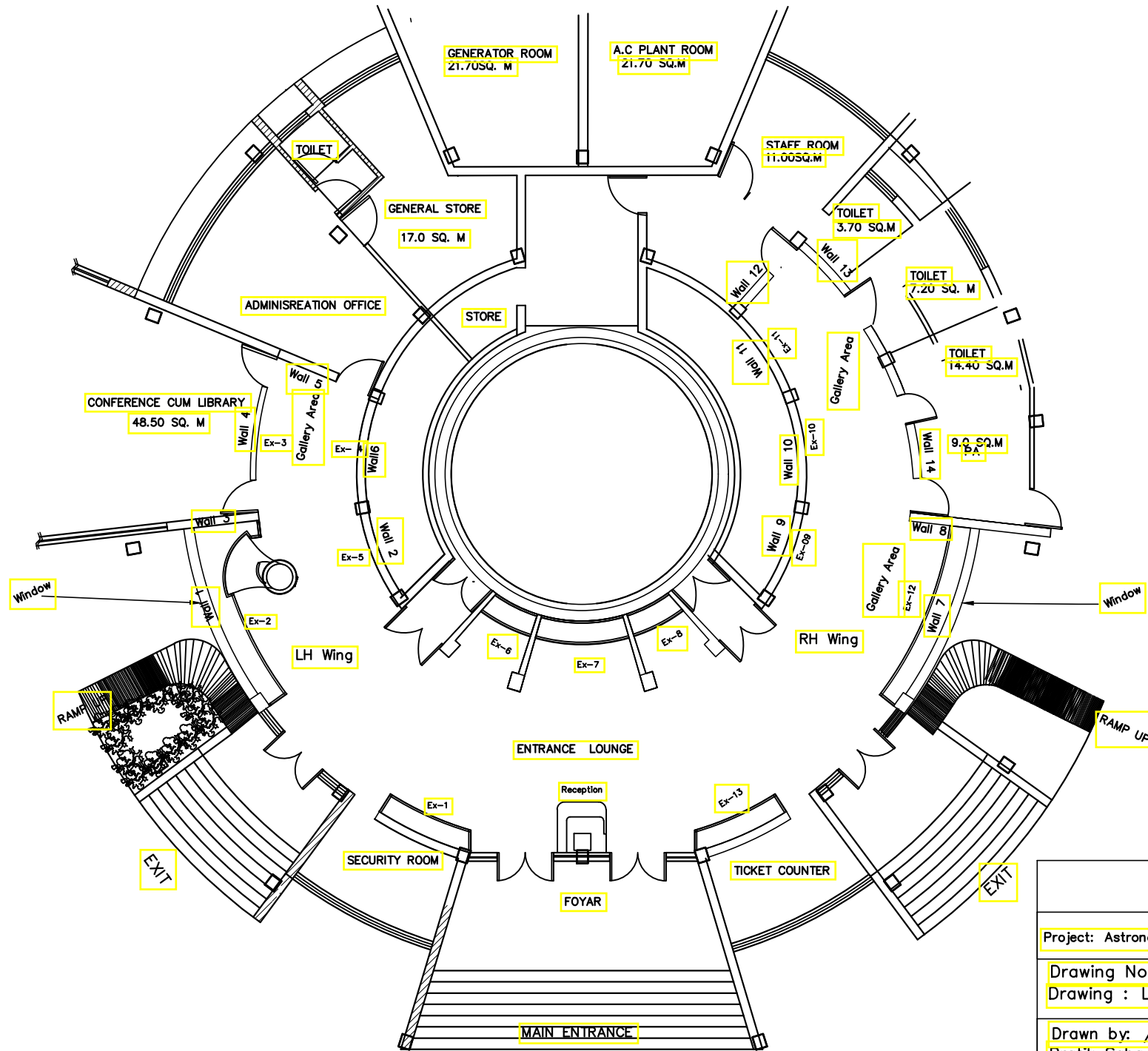


ANNEXURE F

“Fabrication, Supply and Installation of exhibit wooden cabinets made up of specified teak wood sections with plywood, laminates and other hardware items for setting up an Astronomy Gallery at Nalbari Planetarium & Science Centre, Nalbari, Assam.”

DRAWINGS

- RSCG_Nalbari_P & SC_001_Exhibit_Layout -Enclosed
- RSCG_Nalbari_P & SC_002_Exhibit_1 & 13 -Enclosed
- RSCG_Nalbari_P & SC_003_Exhibit_2 -Enclosed
- RSCG_Nalbari_P & SC_004_Exhibit_3 -Enclosed
- RSCG_Nalbari_P & SC_005_Exhibit_4 -Enclosed
- RSCG_Nalbari_P & SC_006_Exhibit_5 -Enclosed
- RSCG_Nalbari_P & SC_007_Exhibit_6 & 8 -Enclosed
- RSCG_Nalbari_P & SC_008_Exhibit_7 -Enclosed
- RSCG_Nalbari_P & SC_009_Exhibit_9 -Enclosed
- RSCG_Nalbari_P & SC_010_Exhibit_10 -Enclosed
- RSCG_Nalbari_P & SC_011_Exhibit_11 -Enclosed
- RSCG_Nalbari_P & SC_012_Exhibit_12 -Enclosed
- RSCG_Nalbari_P & SC_013_Reception -Enclosed
- RSCG_Nalbari_P & SC_014_Straight_Panel -Enclosed



All Dimensions are in mm

Regional Science Centre Guwahati

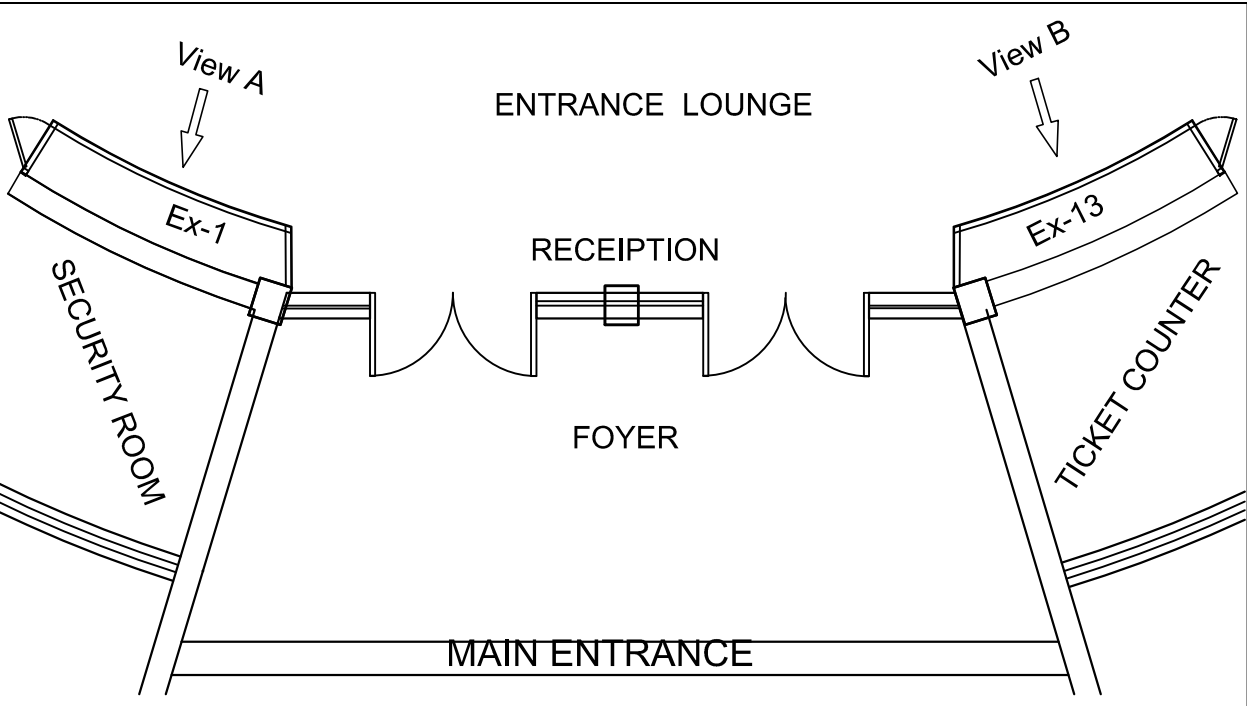
Project: Astronomy Gallery at SRSC & Planetarium, Nalbari, Assam

Drawing No. : RSCG_Nalbari P & SC Centre_001

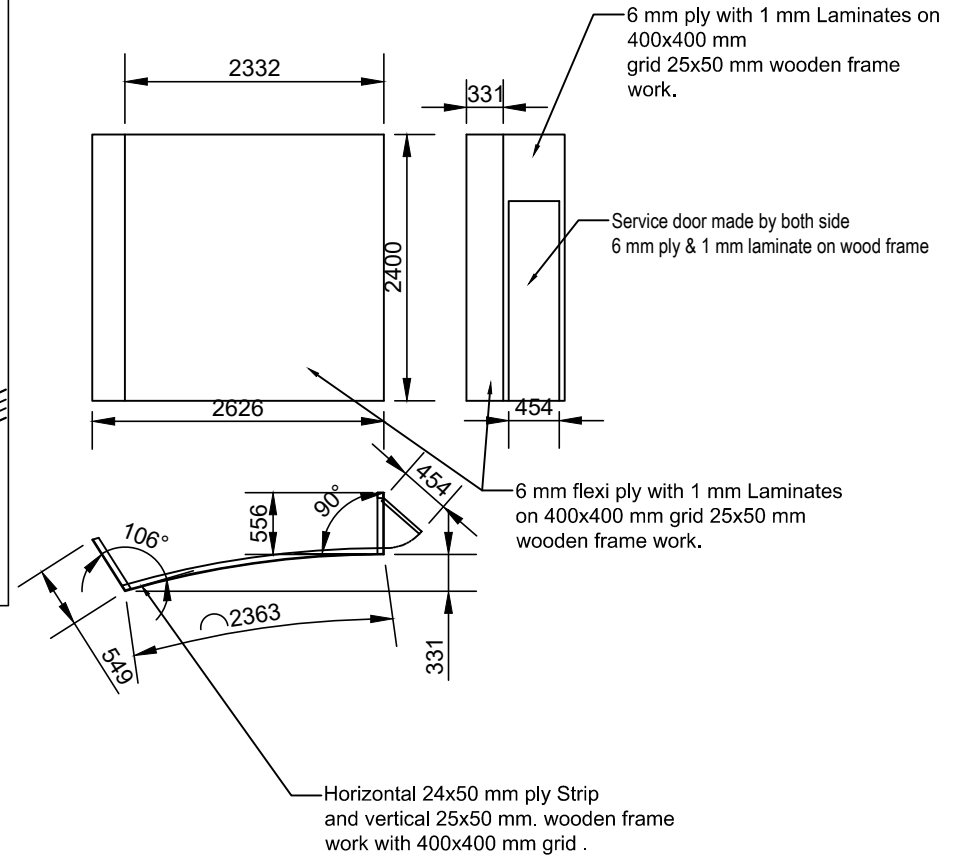
Drawing : Layout of the exhibit display area

Drawn by: / Checked by:
Pratik Saha / S. Majumder

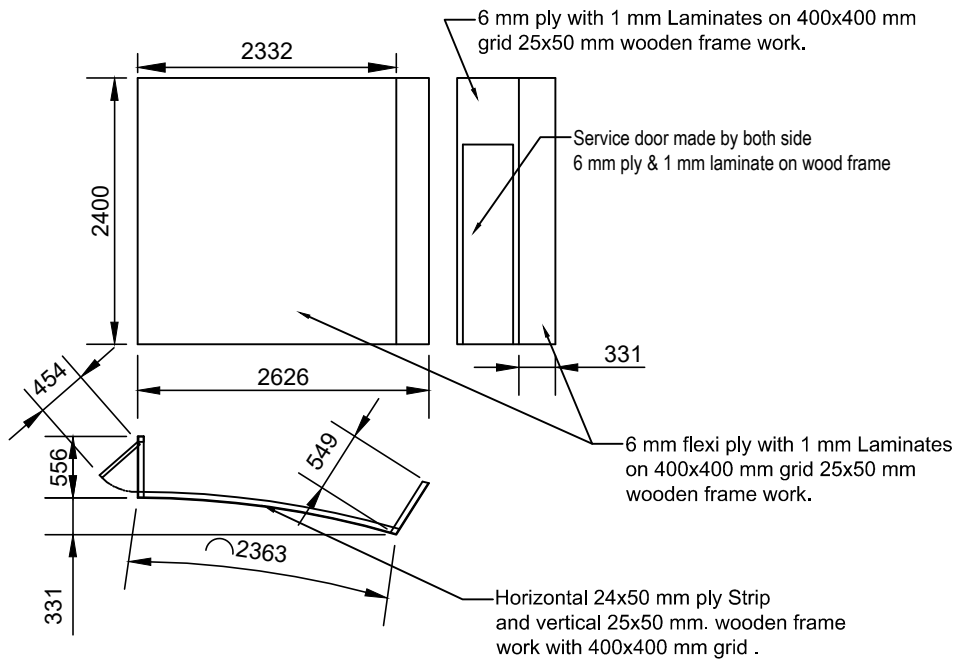
Approved by:
Indranil Sanyal, Dir, NEZ



View in the direction of arrow A

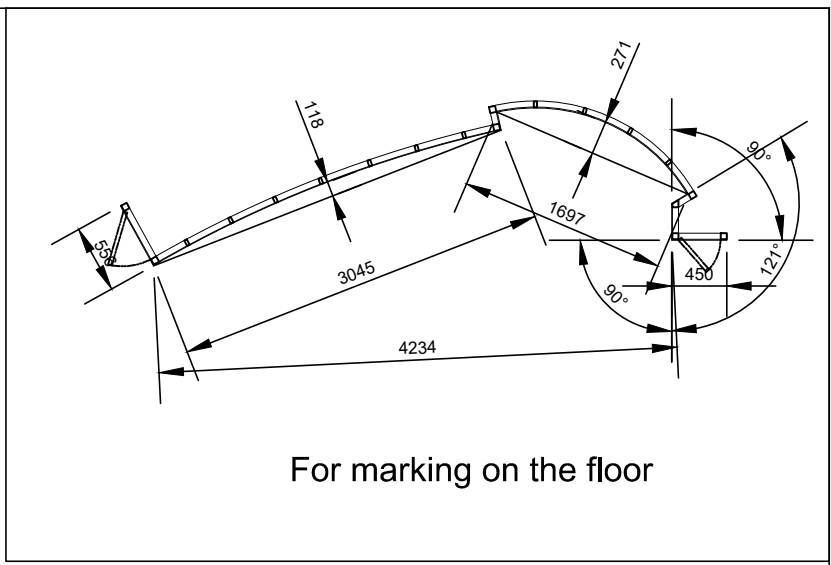
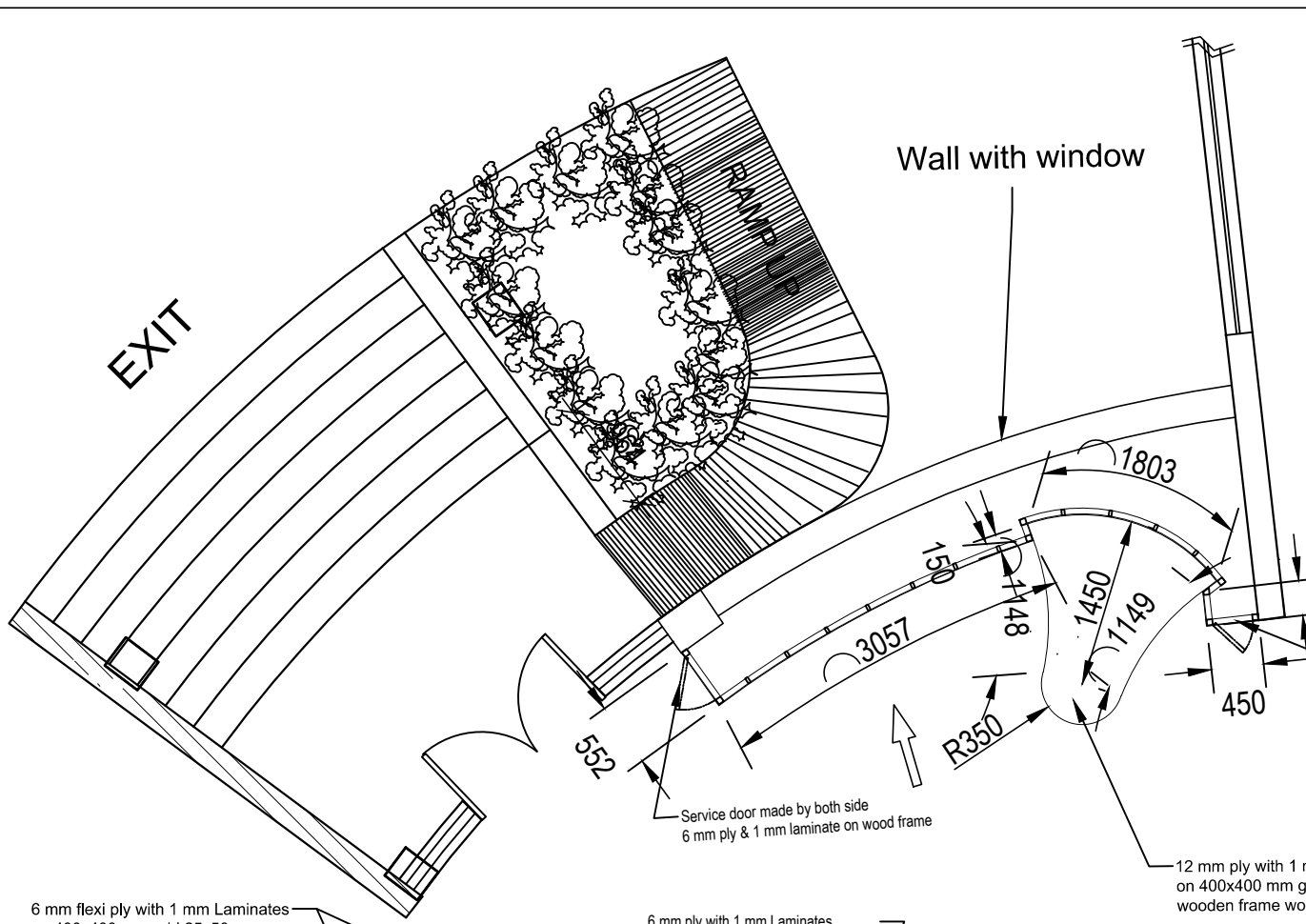


View in the direction of arrow B



All Dimensions are in mm

Regional Science Centre Guwahati	
Project: Astronomy Gallery at SRSC & Planetarium, Nalbari, Assam	
Drawing No. : RSCG_Nalbari_002 Drawing : Details of Exhibit 1 & 13	
Drawn by/Checked by: Pratik Saha/ S. Majumder	Approved by: Indranil Sanyal



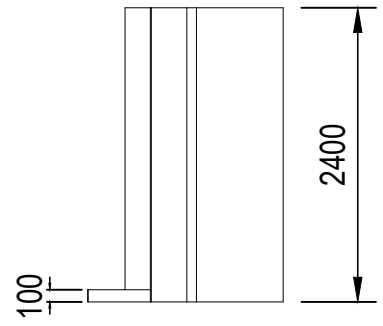
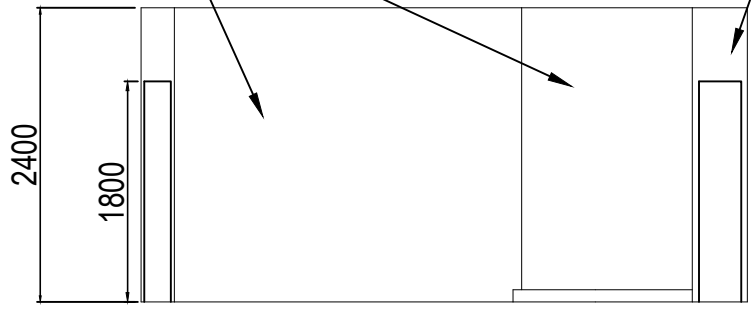
For marking on the floor

6 mm flexi ply with 1 mm Laminates on 400x400 mm grid 25x50 mm wooden frame work.

6 mm ply with 1 mm Laminates on 400x400 mm grid 25x50 mm wooden frame work.

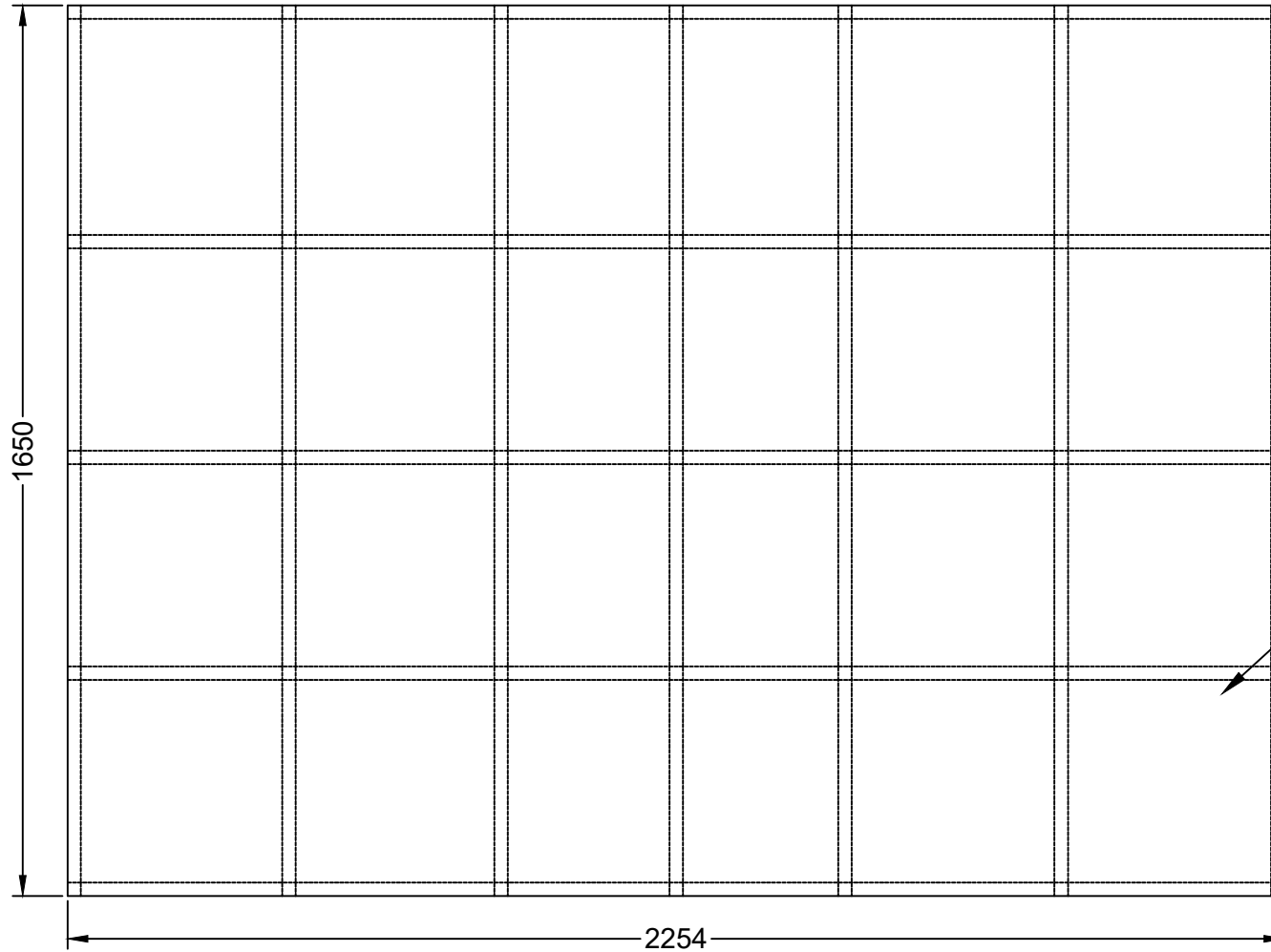
12 mm ply with 1 mm Laminates on 400x400 mm grid 25x50 mm wooden frame work.

Service door made by both side 6 mm ply & 1 mm laminate on wood frame

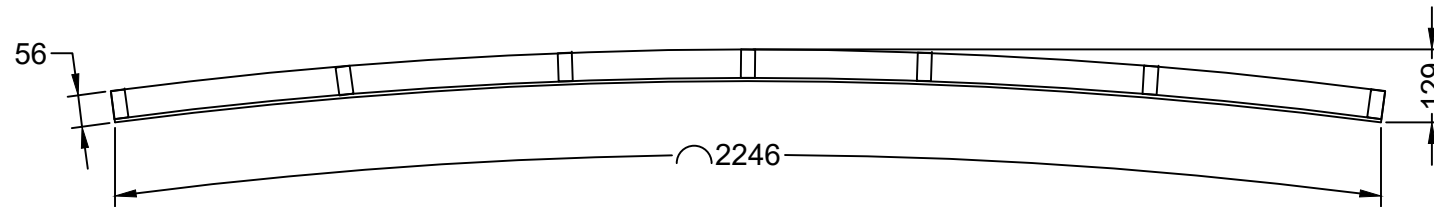


All Dimensions are in mm

Regional Science Centre Guwahati	
Project: Astronomy Gallery at SRSC & Planetarium, Nalbari, Assam	
Drawing No. : RSCG_Nalbari P & Sc Centre_003 Drawing : Details of Exhibit 2	
Drawn by/Checked by: Pratik Saha/ S. Majumder	Approved by: Indranil Sanyal



6 mm flexi ply with 1 mm Laminates
on 400x400 mm grid 25x50 mm
wooden frame work. To be fixed on wall



All Dimensions are in mm.

Regional Science Centre Guwahati

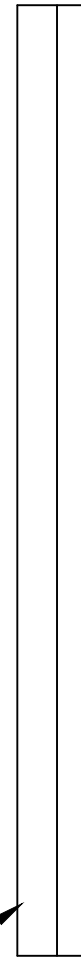
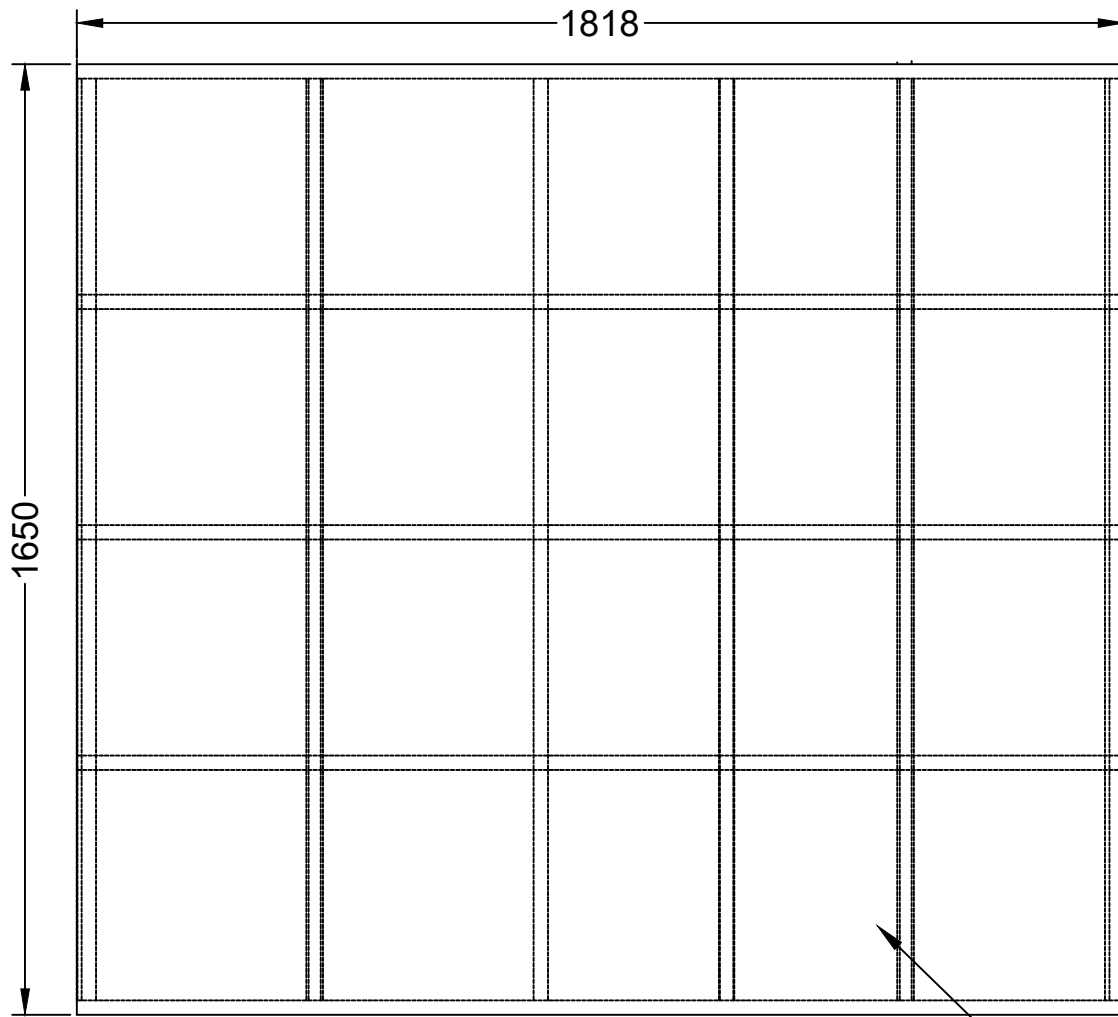
Project: Astronomy Gallery at SRSC & Planetarium, Nalbari, Assam

Drawing No. : RSCG_NalbariP & Sc Centre004
Drawing : Details of Exhibit 3

Drawn by/ Checked by
Pratik Saha/Sujay Majumder

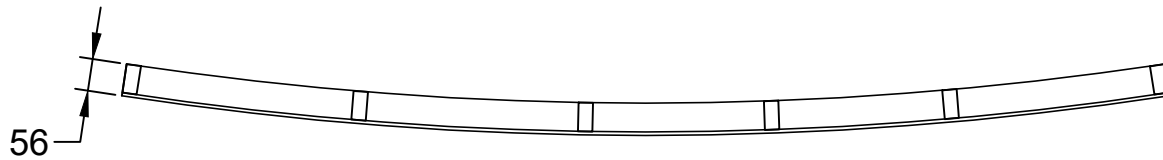
Approved by:
Indranil Sanyal

Annexure F



124

6 mm flexi ply with 1 mm Laminates
on 400x400 mm grid 25x50 mm
wooden frame work.



56

All Dimensions are in mm.

Regional Science Centre Guwahati

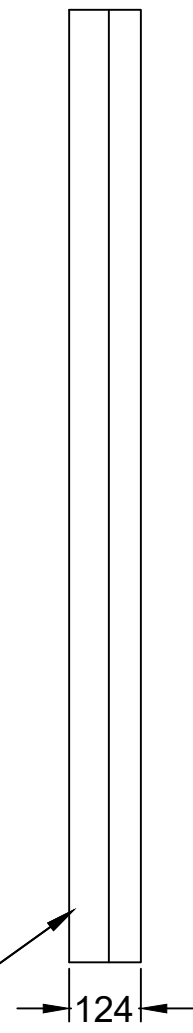
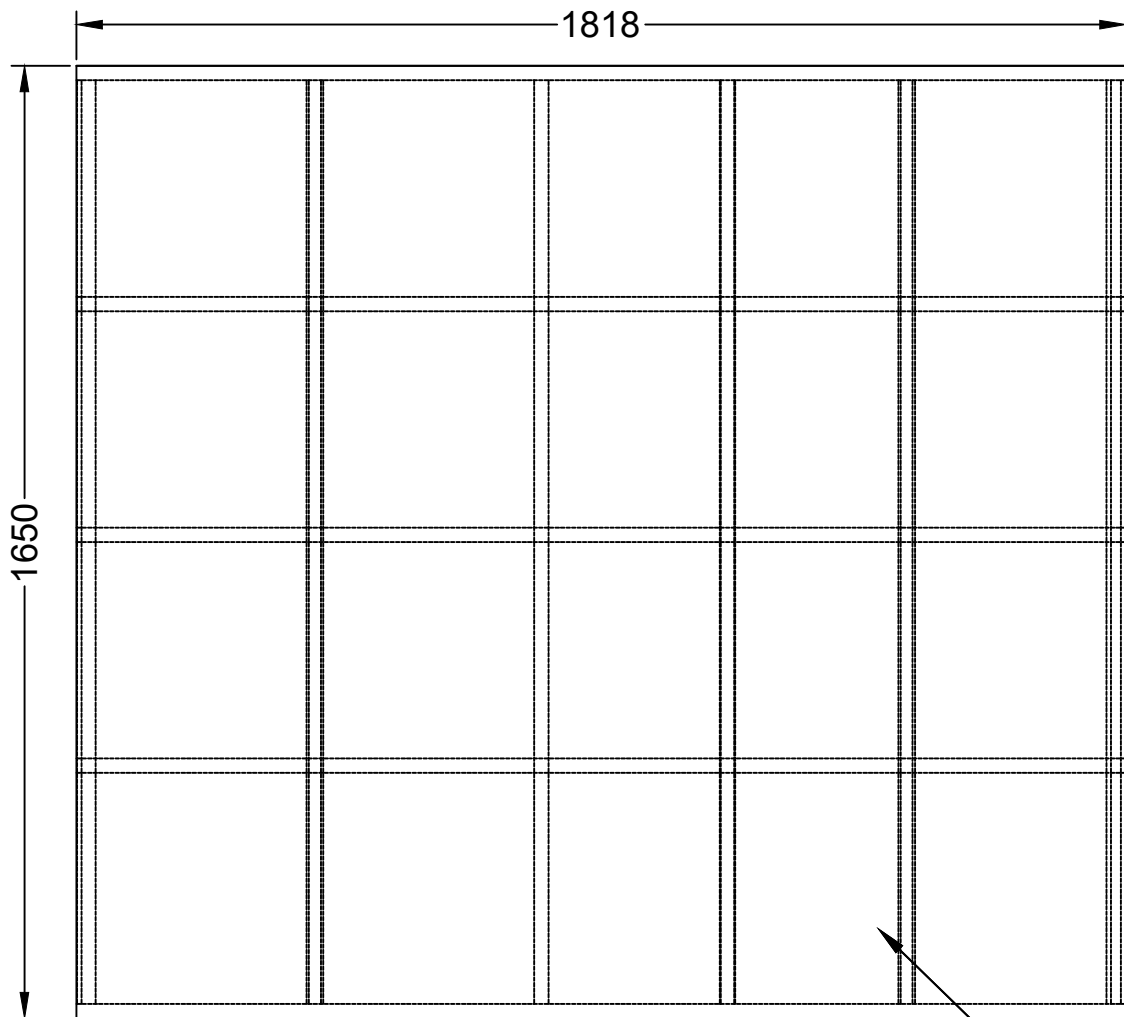
Project: Astronomy Gallery at SRSC & Planetarium, Nalbari, Assam

Drawing No. :RSCG_Nalbari_P & Sc Centre_005
Drawing : Details of Exhibit - 4

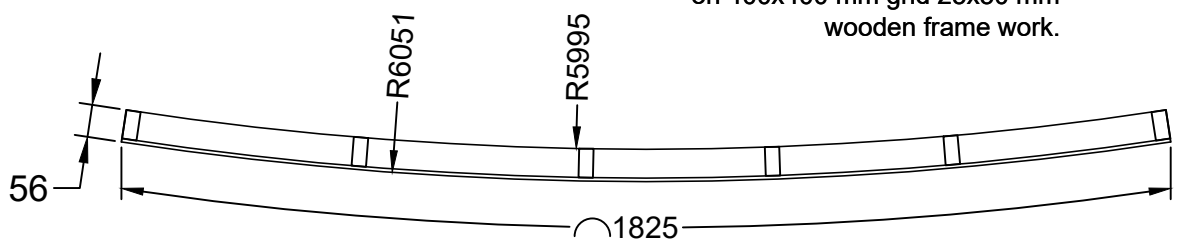
Drawn by/Checked by
Partik Saha/ Sujay Majumder

Approved by:
Indranil Sanyal

Annexure F

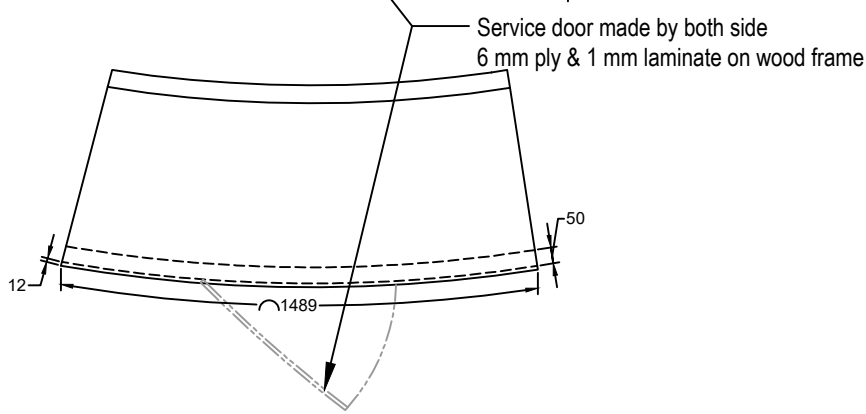
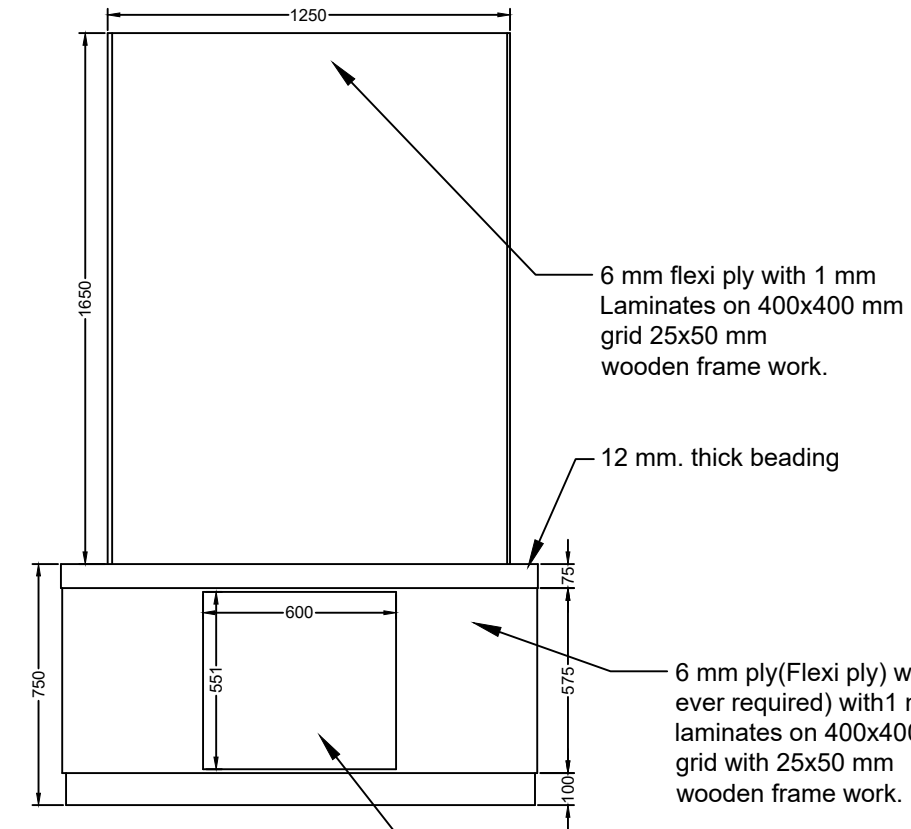


6 mm flexi ply with 1 mm Laminates
on 400x400 mm grid 25x50 mm
wooden frame work.



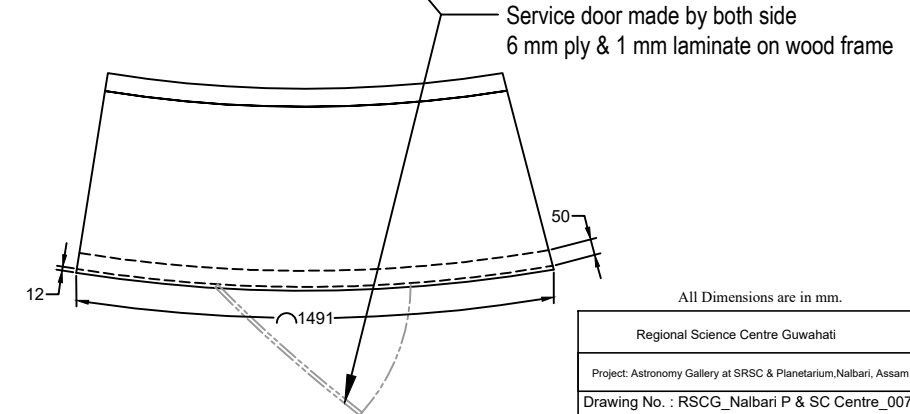
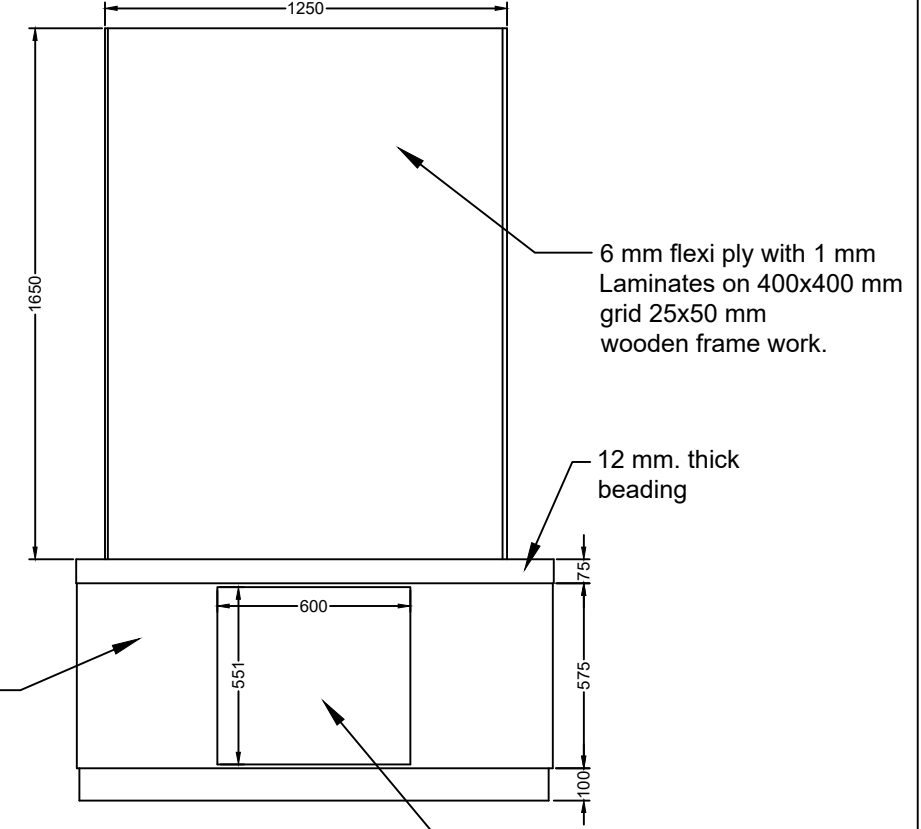
All Dimensions are in mm.

Regional Science Centre Guwahati	
Project: Astronomy Gallery at SRSC & Planetarium, Nalbari, Assam	
RSCG_Nalbari_P & Sc Centre_006 Drawing : Details of Exhibit -5	
Drawn by/ Checked by: Pratik Saha/ Sujay Majumder	Approved by: Indranil Sanyal



Details of Exhibit 6

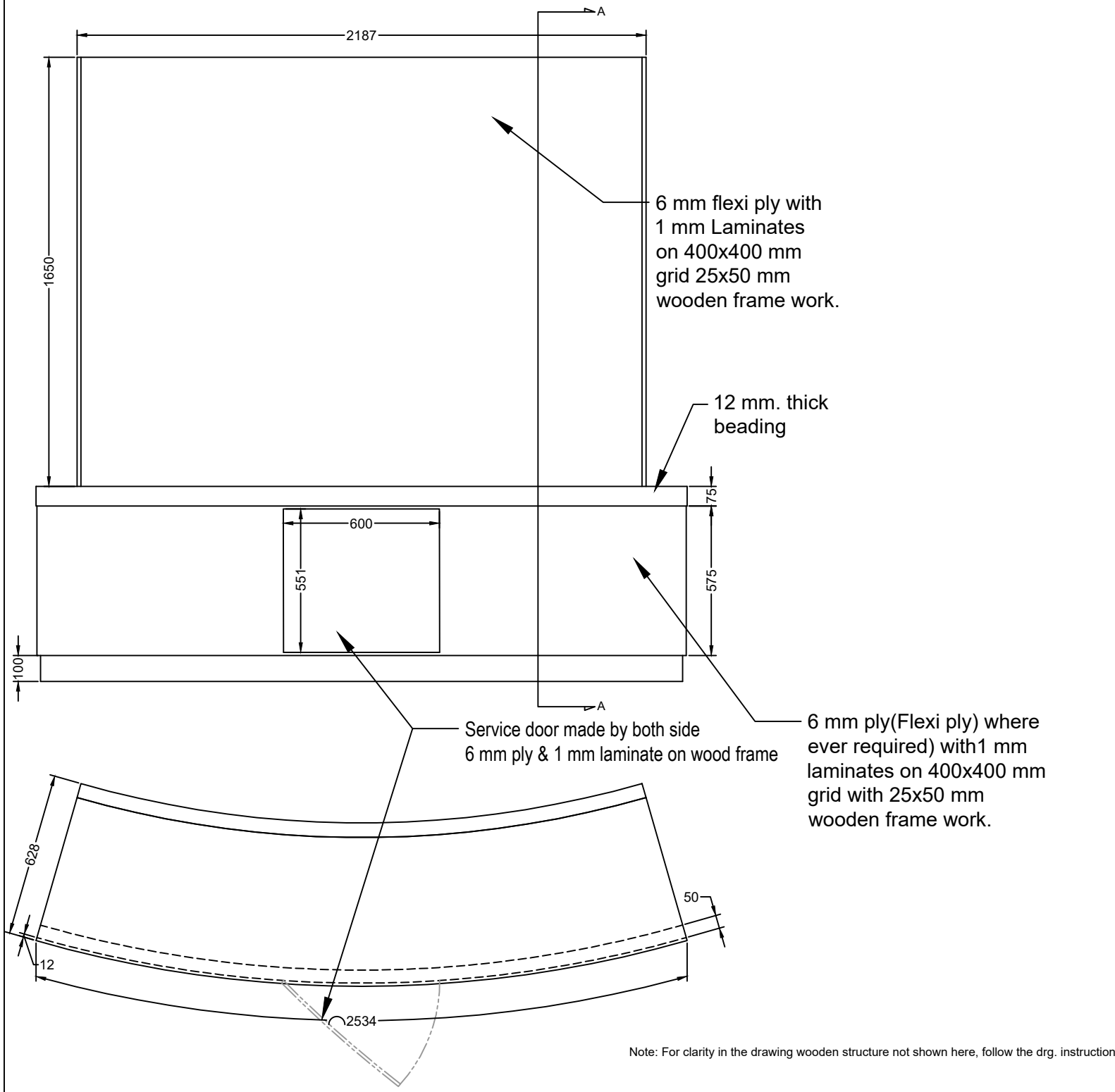
Note: For clarity in the drawing wooden structure not shown here, follow the drg. instruction



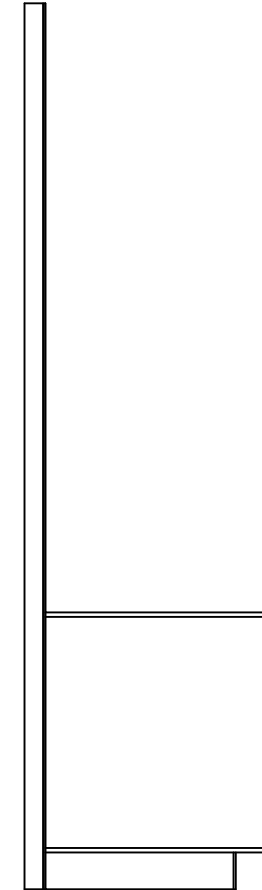
Details of Exhibit 8

All Dimensions are in mm.

Regional Science Centre Guwahati	
Project: Astronomy Gallery at SRSC & Planetarium, Nalbari, Assam	
Drawing No. : RSCG_Nalbari P & SC Centre_007	
Drawing : Details of Exhibit 6 & 8	
Drawn by / Checked by Pratik Saha / Sujay Majumder	Approved by: Indranil Sanyal



Annexure F

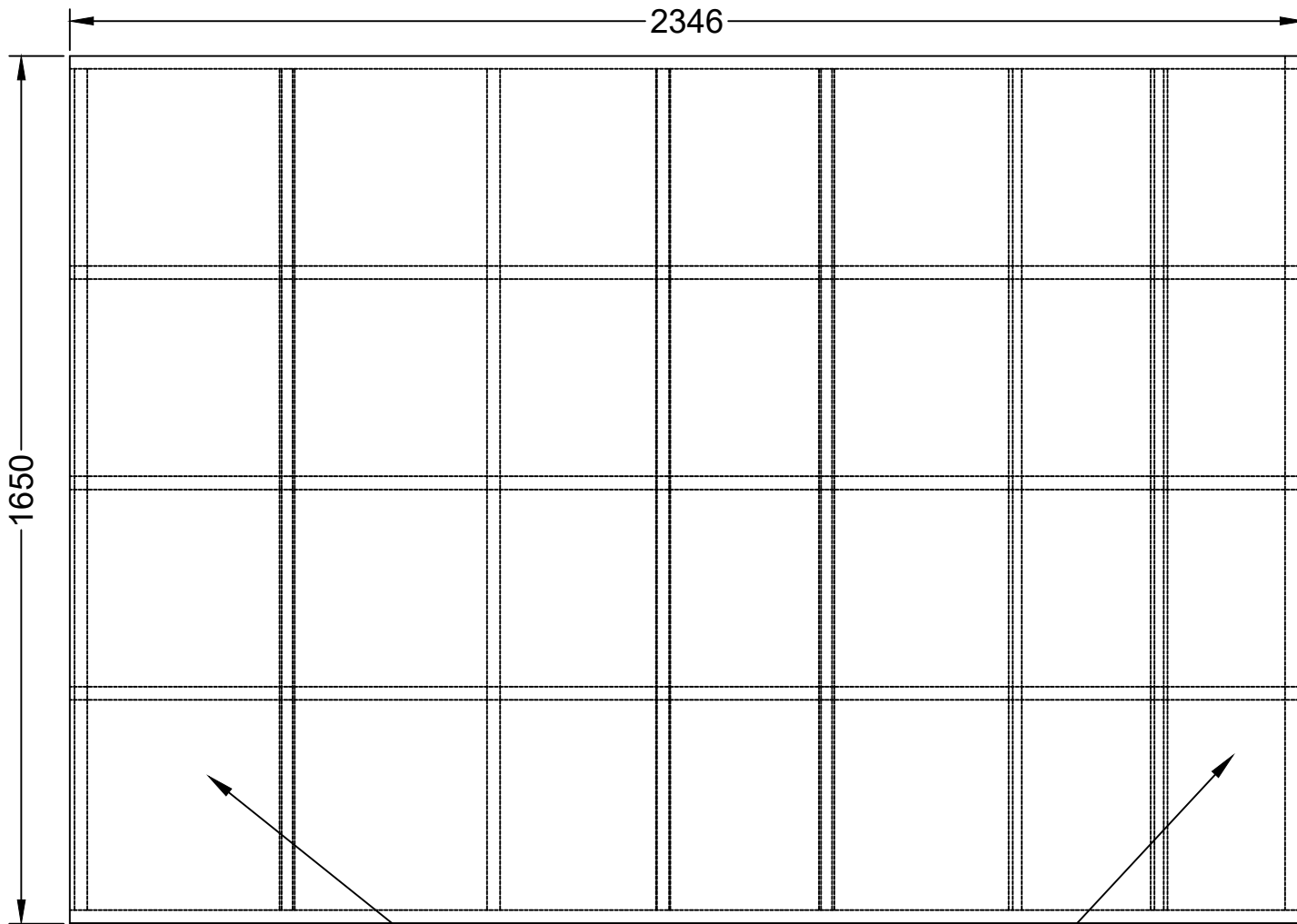


Sectional View AA

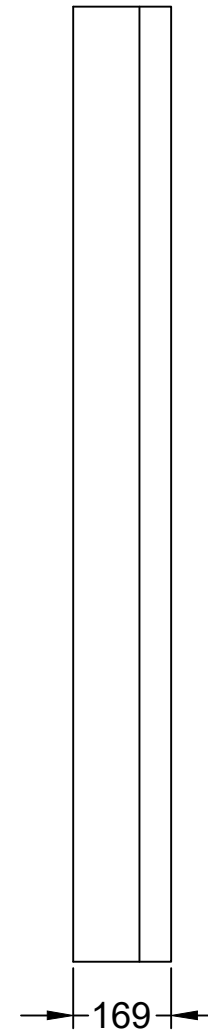
All Dimensions are in mm.

Regional Science Centre Guwahati	
Project: Astronomy Gallery at SRSC & Planetarium, Nalbari, Assam	
Drawing No. : RSCG_ Nalbari_P & Sc_008 Drawing : Details of Exhibit 7	
Drawn by / Checked by Pratik Saha/ Sujay Majumder	Approved by: Indranil Sanyal

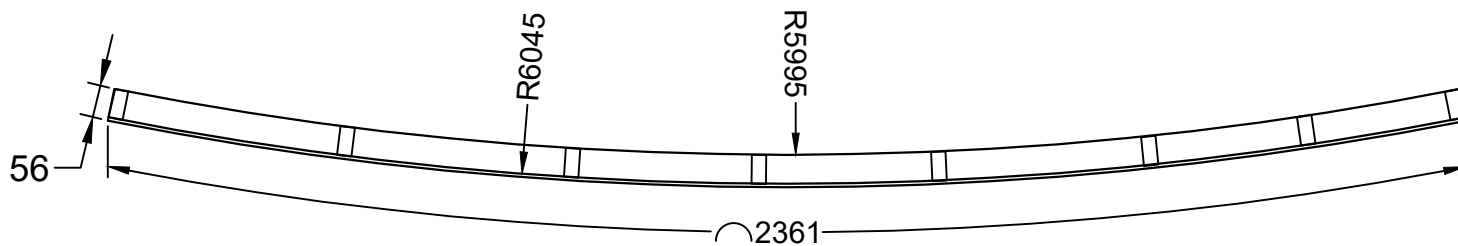
Note: For clarity in the drawing wooden structure not shown here, follow the drg. instruction



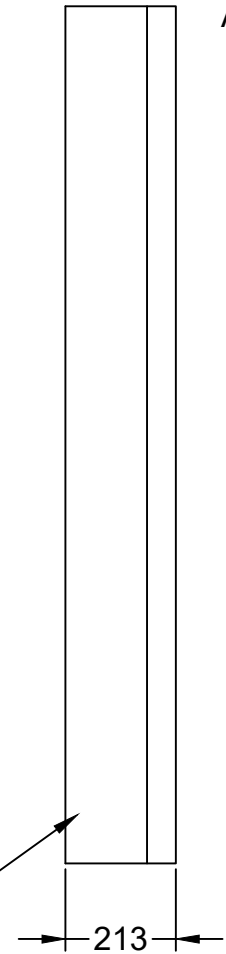
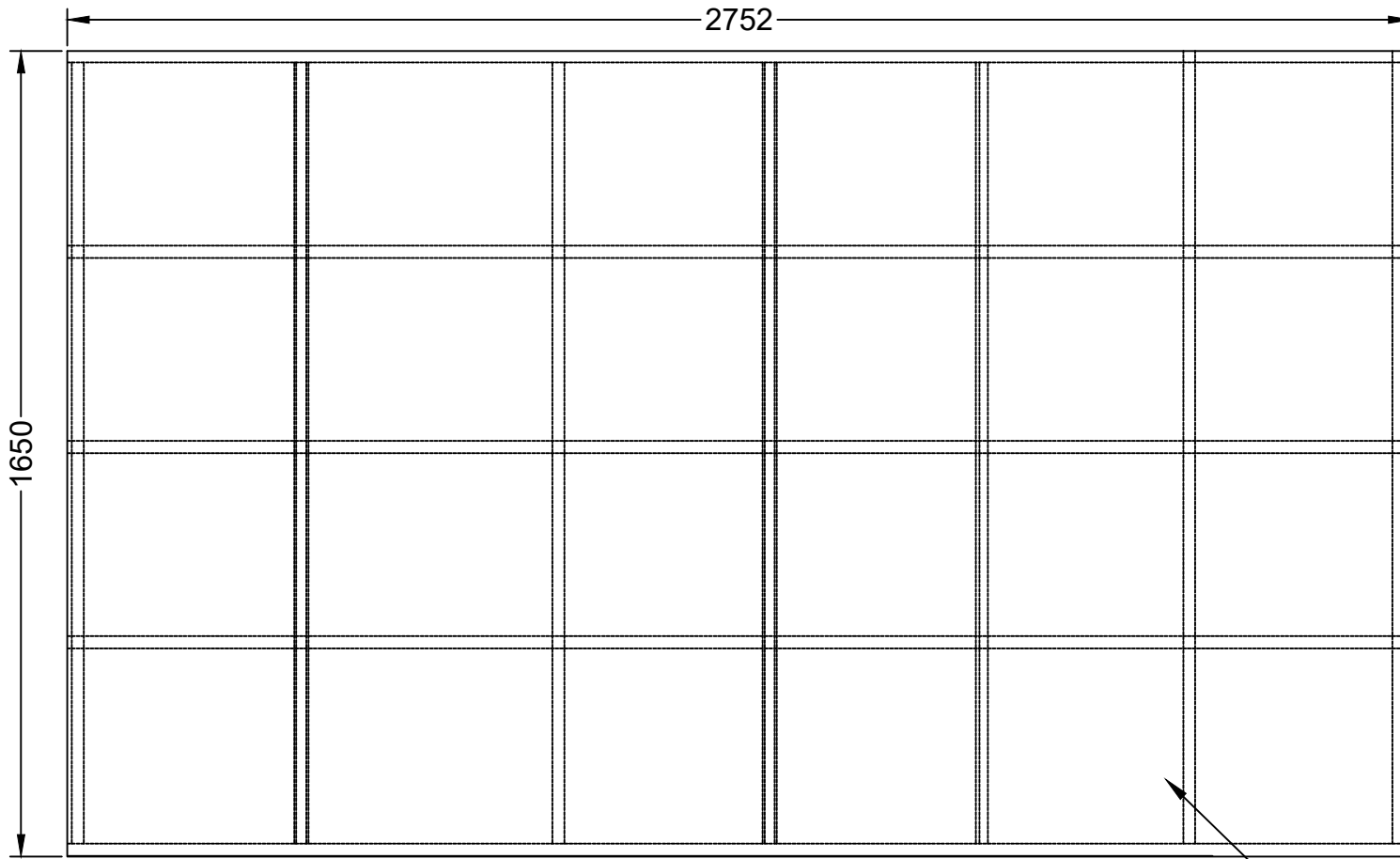
6 mm flexi ply with 1 mm Laminates
on 400x400 mm grid 25x50 mm
wooden frame work.



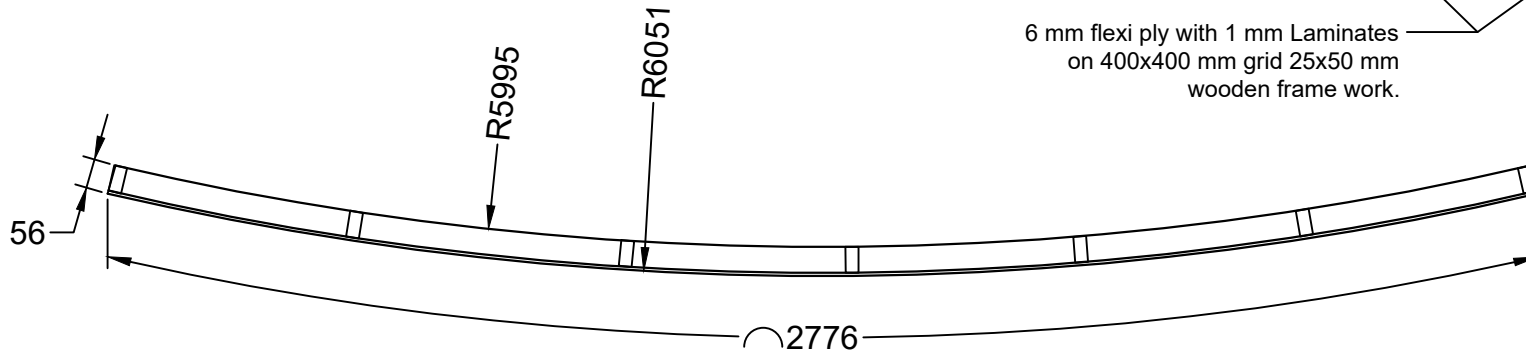
All Dimensions are in mm.



Regional Science Centre Guwahati	
Project: Astronomy Gallery at SRSC & Planetarium, Nalbari, Assam	
Drawing No. RSCG_Nalbari P & Sc Centre_009 Drawing : Details of Exhibit -9	
Drawn by/ Checked by: Pratik Saha/ Sujay Majumder	Approved by: Indranil Sanyal



6 mm flexi ply with 1 mm Laminates
on 400x400 mm grid 25x50 mm
wooden frame work.



All Dimensions are in mm.

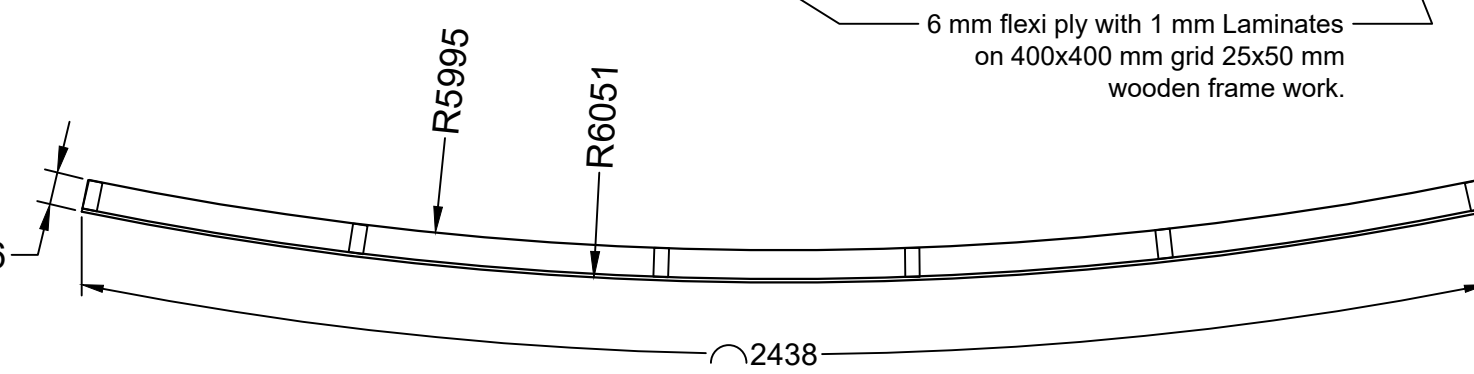
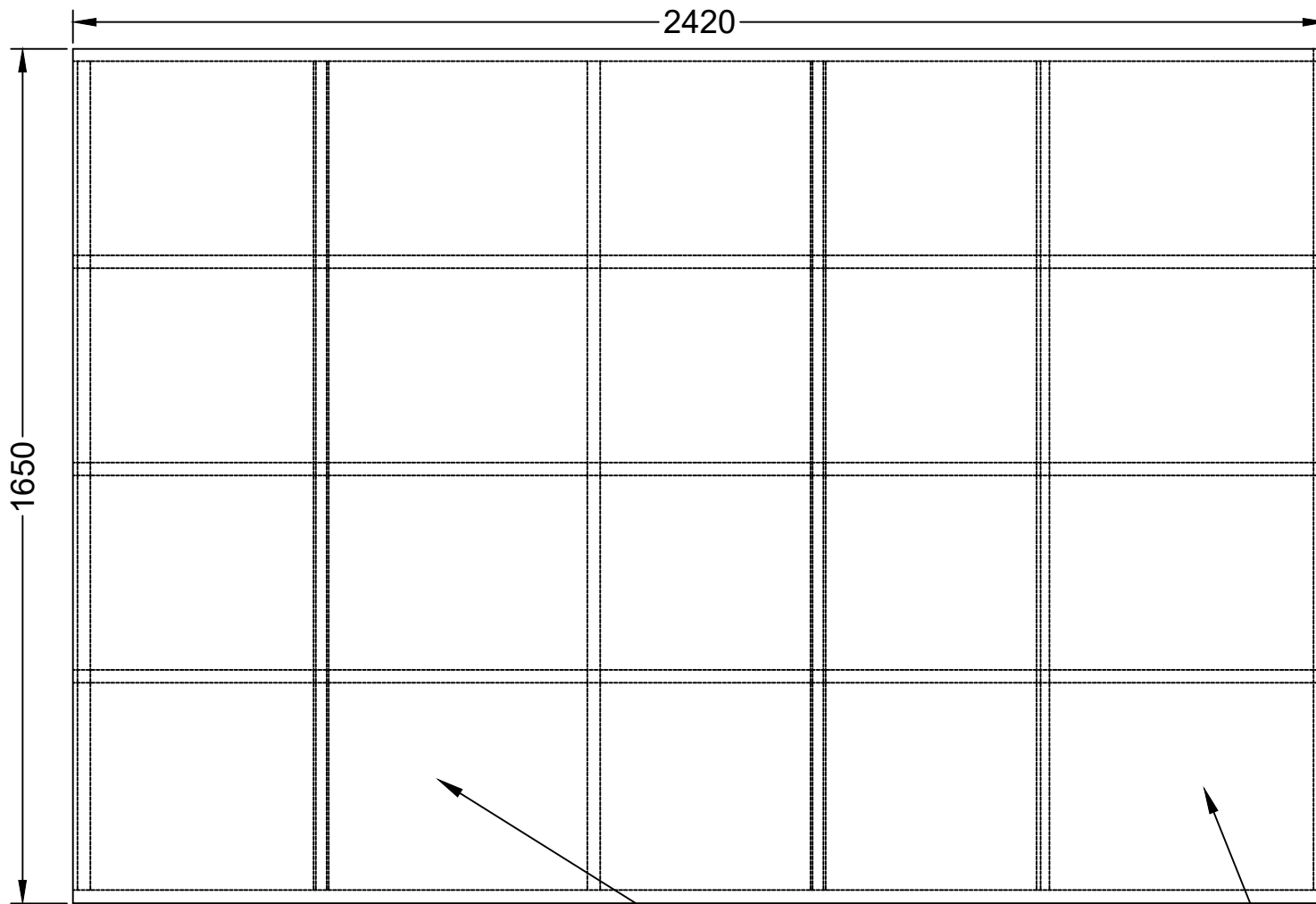
Regional Science Centre Guwahati

Project: Astronomy Gallery at SRSC & Planetarium, Nalbari, Assam

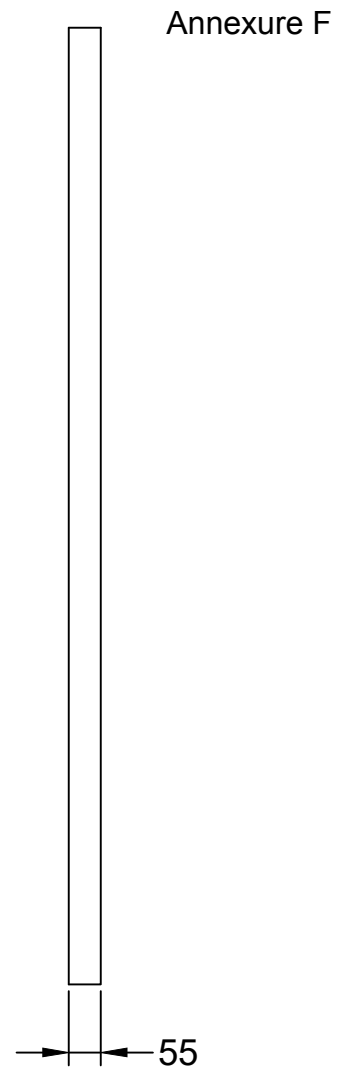
Drawing No.: RSCG_Nalbari P & Sc Centre_010
Drawing : Details of Exhibit -10

Drawn by/ Checked By
Pratik Saha / Sujay Majumder

Approved by:



6 mm flexi ply with 1 mm Laminates
on 400x400 mm grid 25x50 mm
wooden frame work.

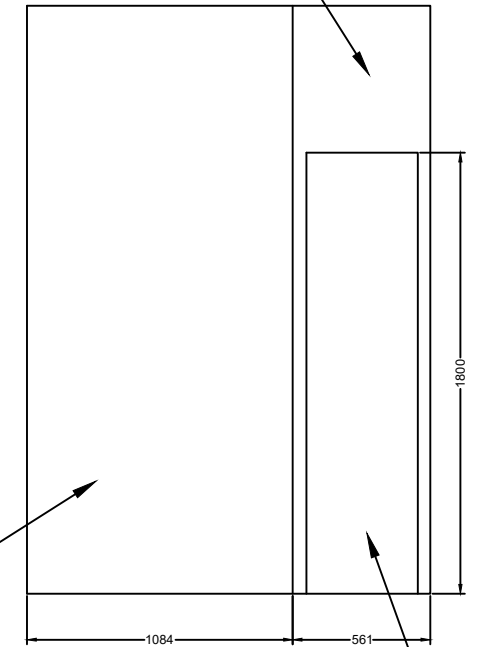
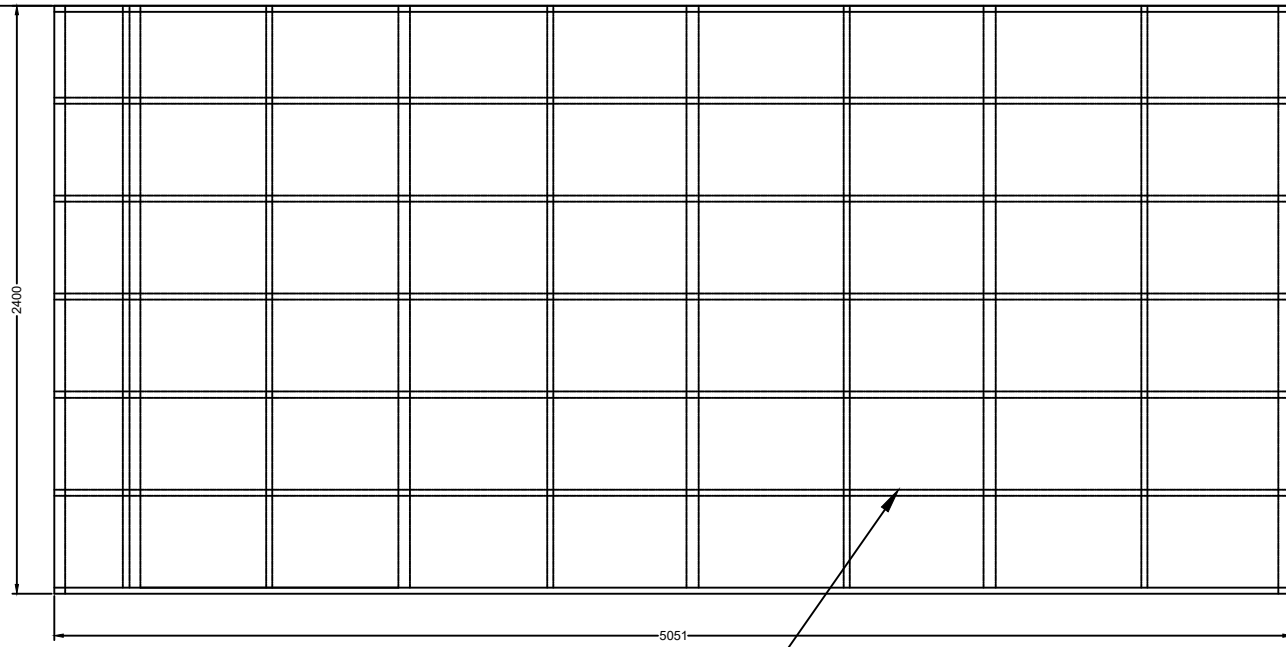


All Dimensions are in mm.

Regional Science Centre Guwahati	
Project: Astronomy Gallery at SRSC & Planetarium, Nalbari, Assam	
Drawing No.: RSCG_Nalbari_P & Sc Centre_011 Drawing : Details of Exhibit -11	
Drawn by/ Checked By: Pratik Saha / Sujay Majumder	Approved by: Indranil Sanyal

Annexure F

6 mm ply with 1 mm Laminates on 400x400 mm grid 25x50 mm wooden frame work.

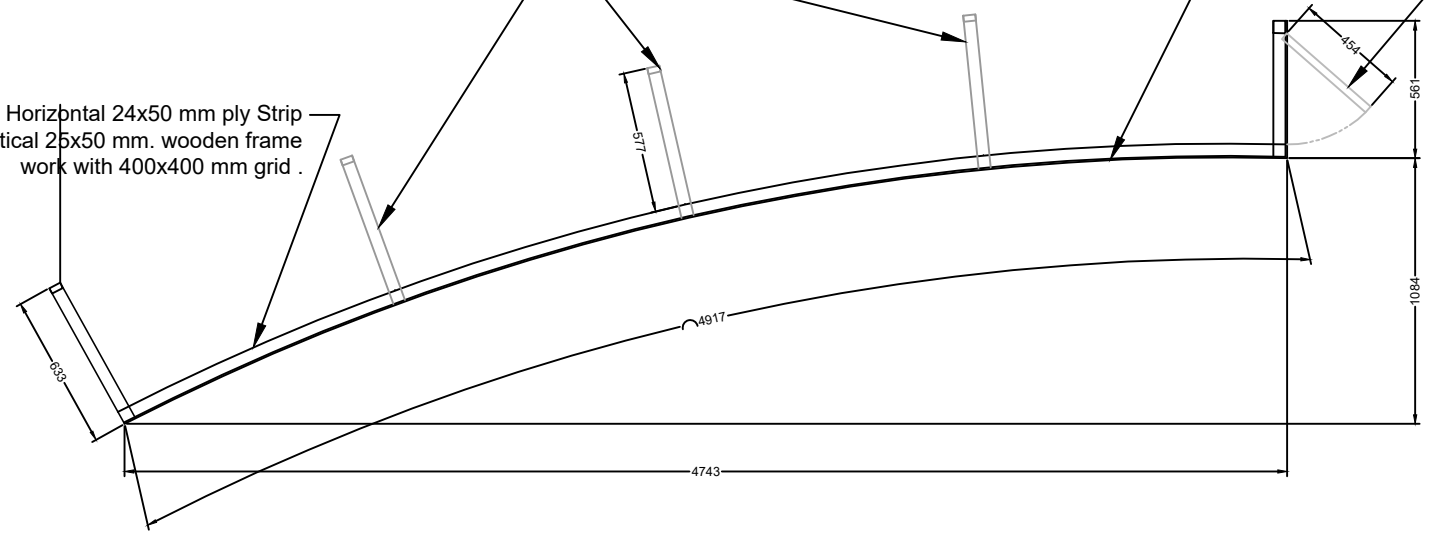


6 mm flexi ply with 1 mm Laminates on 400x400 mm grid 25x50 mm wooden frame work.

Service door made by both side 6 mm ply & 1 mm laminate on wood frame

Wooden support for curve paneling

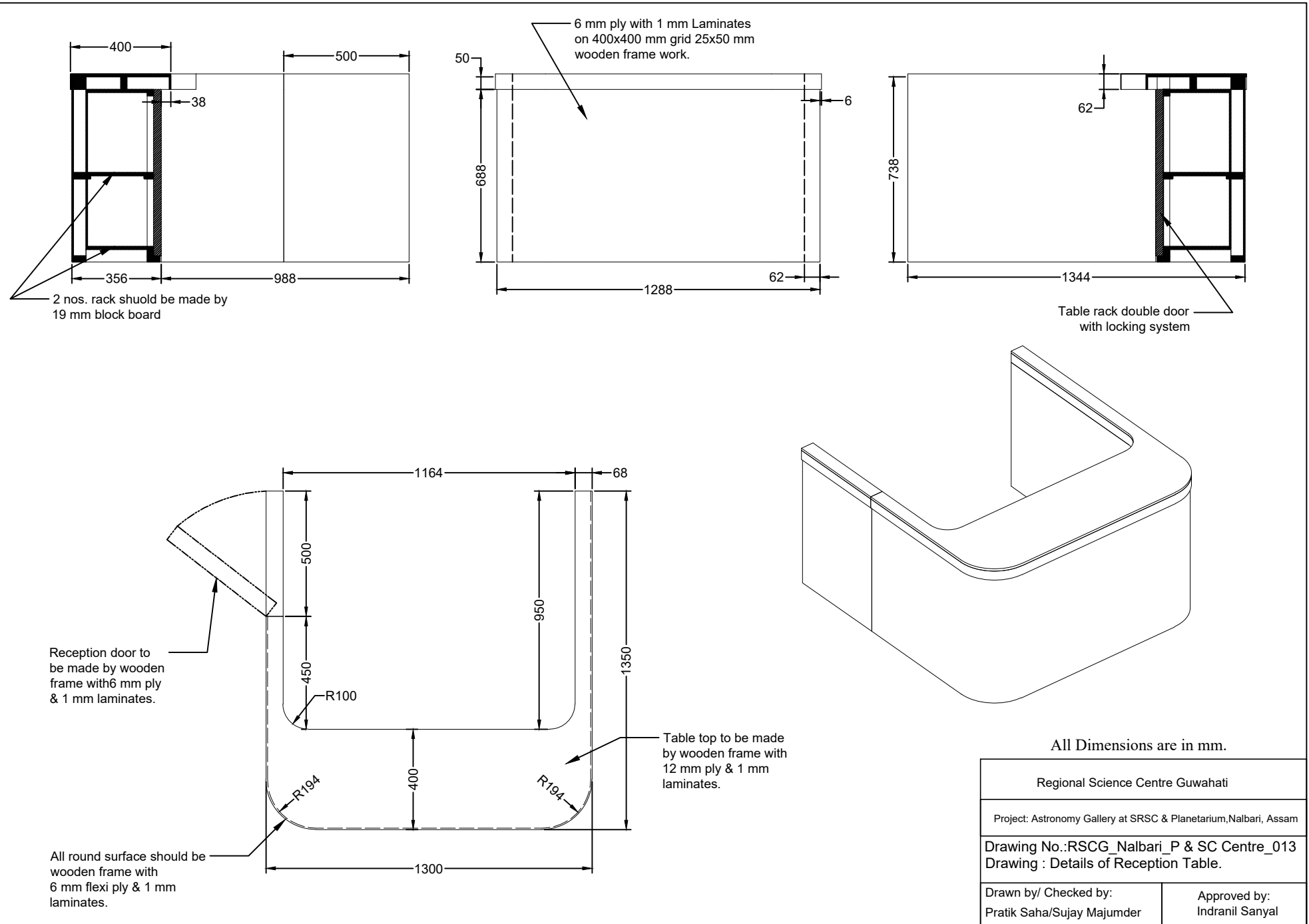
Horizontal 24x50 mm ply Strip and vertical 25x50 mm. wooden frame work with 400x400 mm grid .

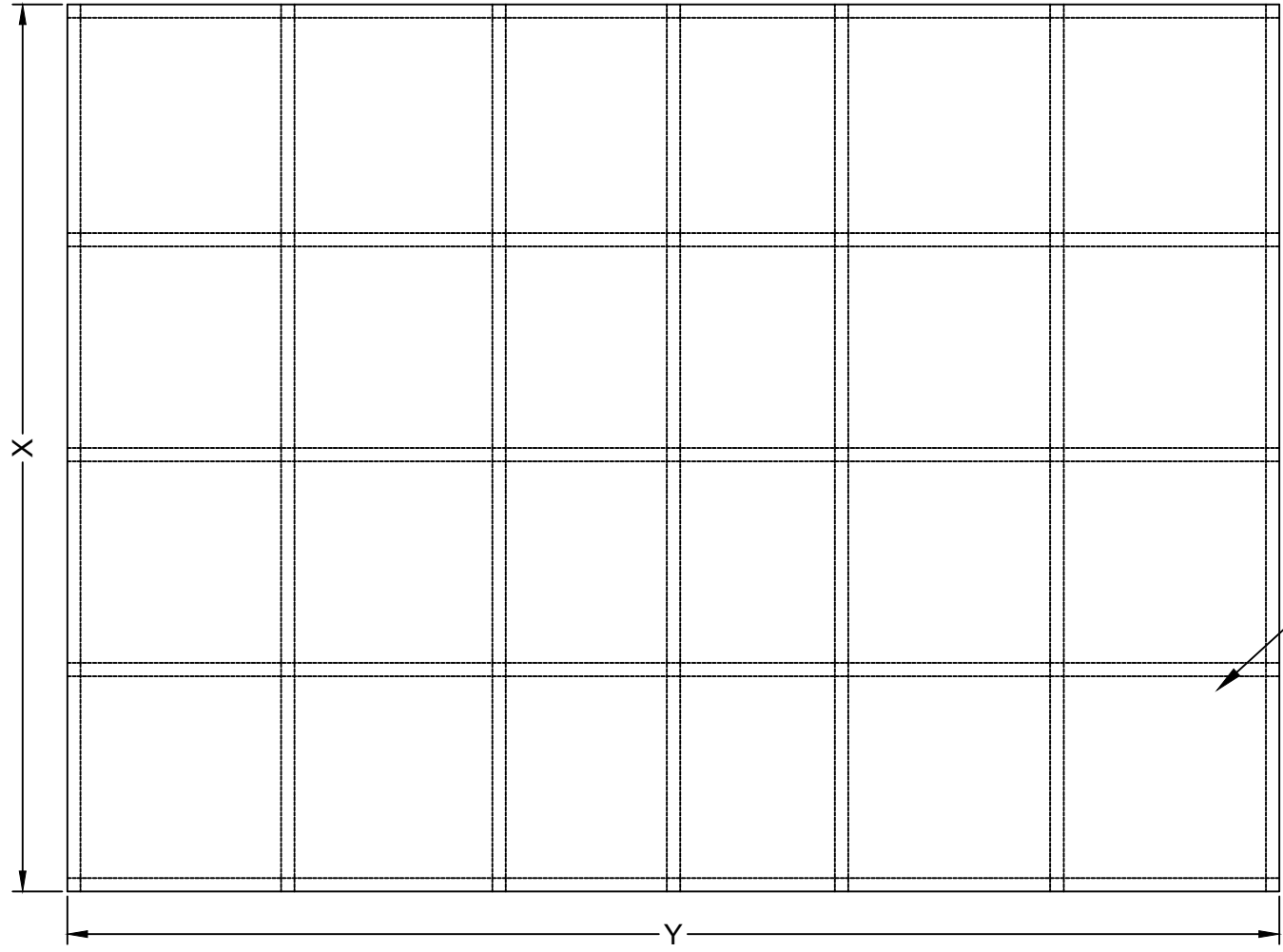


All Dimensions are in mm.

Regional Science Centre Guwahati	
Project: Astronomy Gallery at SRSC & Planetarium, Nalbari, Assam	
Drawing No.: RSCG_Nalbari_P & SC Centre_012 Drawing : Details of Exhibit -12	
Drawn by/ Checked by: Pratik Saha/Sujay Majumder	Approved by: Indranil Sanyal

Annexure F





6 mm ply with 1 mm Laminates on 400 x400 mm grid 25 x 50 mm wooden frame work. To be fixed on wall and other places as per the requirement.



All Dimensions are in mm.

Regional Science Centre Guwahati	
Project: Astronomy Gallery at SRSC & Planetarium, Nalbari, Assam	
Drawing No. : RSCG_NalbariP & Sc Centre_014 Drawing : Details of Straight panel	
Drawn by/ Checked by Pratik Saha/Sujay Majumder	Approved by: Indranil Sanyal

